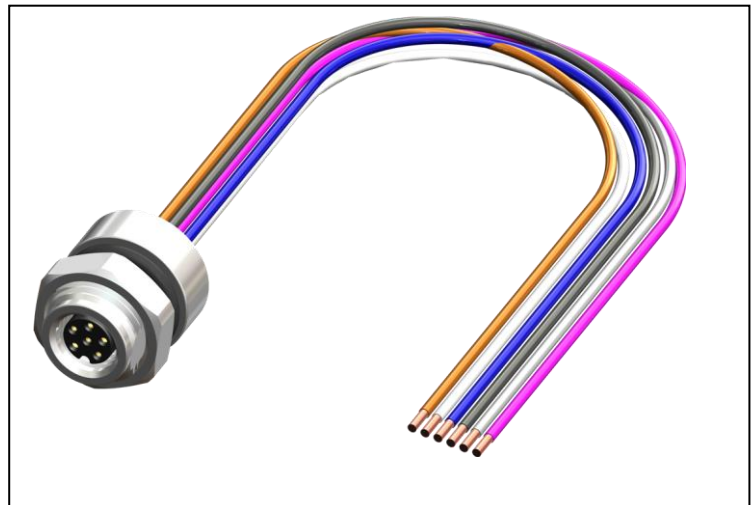


FEATURES

- Connector size is M8
- Space efficient
- IP67

RS PRO M08 FEMALE REAR PANEL MOUNT CONNECTOR 6 PIN WITH 500 mm PVC LITZ WIRE

RS Stock No.: 2305703



RS Professionally Approved Products bring to you professional quality parts across all product categories. Our product range has been tested by engineers and provides a comparable quality to the leading brands without paying a premium price.

Product Description

ATTRIBUTE 1

M08 Panel Mount

This panel mount receptacle is available in M8 or M12 and features a threaded connector for secure mating attenuation with corresponding M8 or M12 plugs. When mated, this connection is sealed to IP67, providing excellent protection against dust and water and resulting in a connector that is well suited for industrial purposes.

Panel mount connector is available in contact configurations of 3, 4 & 6 pole and in male and female variants.

Features and Benefits:

- Connector size is M8
- Insulation Resistance $\geq 100 \text{ M}\Omega$

General Specifications

Rated Operational Voltage	30 V
Current Rating	1.5A
Insulation Resistance	$\geq 100 \text{ M}\Omega$
Temperature Range	-25°C ... +75°C
Coding	A-Coded
Coupling	Thread Locking
Shield	No
Mounting	Rear (M12 x 1.0)

Material Specifications

Housing Material	Brass Ni Plated
Contact	Cu-Zn
Contact Plating	Gold Flash
Contact Carrier	Nylon 66
O-Ring	Neoprene
No. of Pole	6
Clamp Nut	M12 x 1.0

Cable Specifications

Cross Section of Wire	0.14 sq.mm
Termination	Partially Stripped
Cable length	500 mm

Protection Category

Degree of Protection | IP67

Additional Information

Custom Tariff Number | 85369090

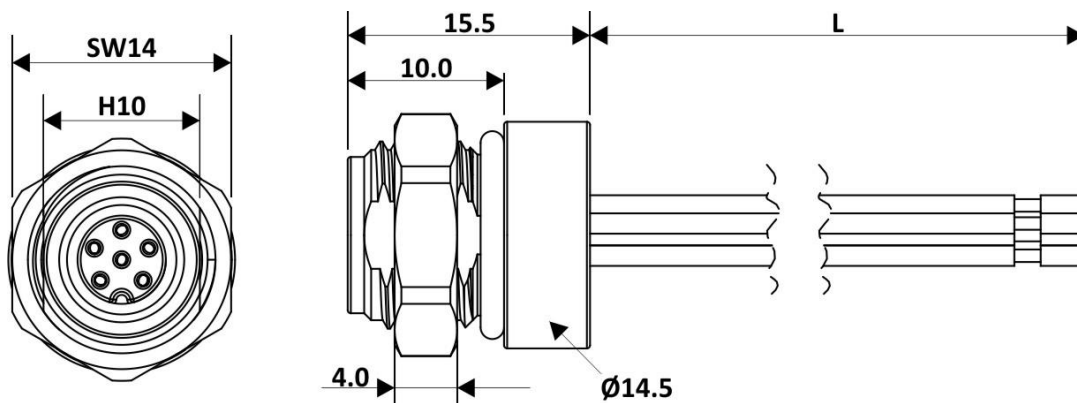
Approvals

Standards Met | IEC 61076-2-104

Similar Products

Stock No.	Brand	Product Name	Attribute 1	Attribute 2
2305702	RS PRO	RS Pro M08 Female 6 Pin Rear M10 x 0.75 panel Mount Connector	Industrial Automation Cable Assemblies	Actuator/Sensor Cable

Connection Diagrams / Assembly Diagrams / Illustrations / Accessories



All Dimensions are in mm.

