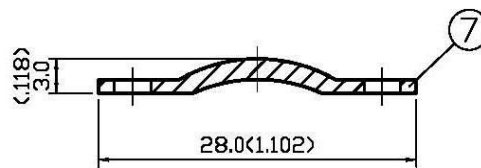
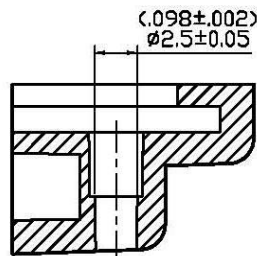
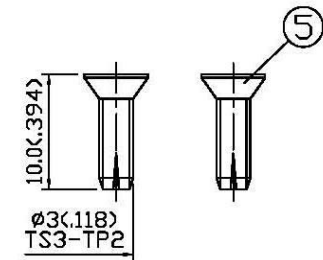
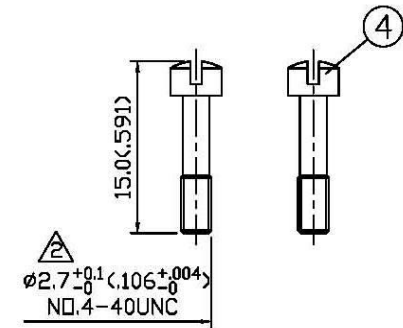
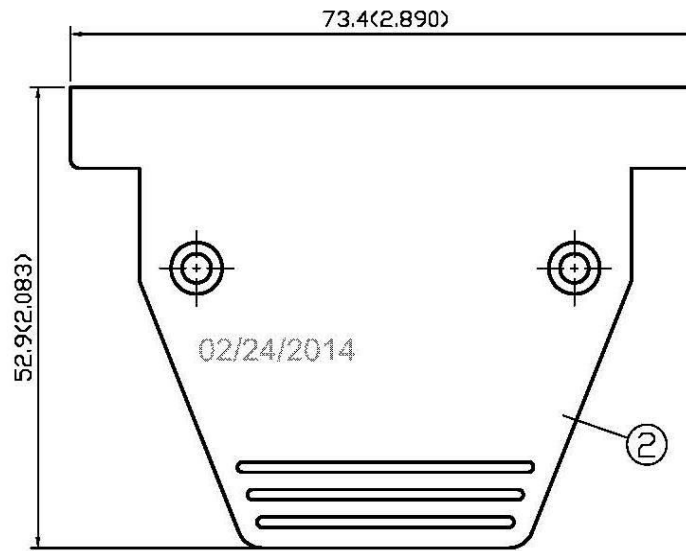
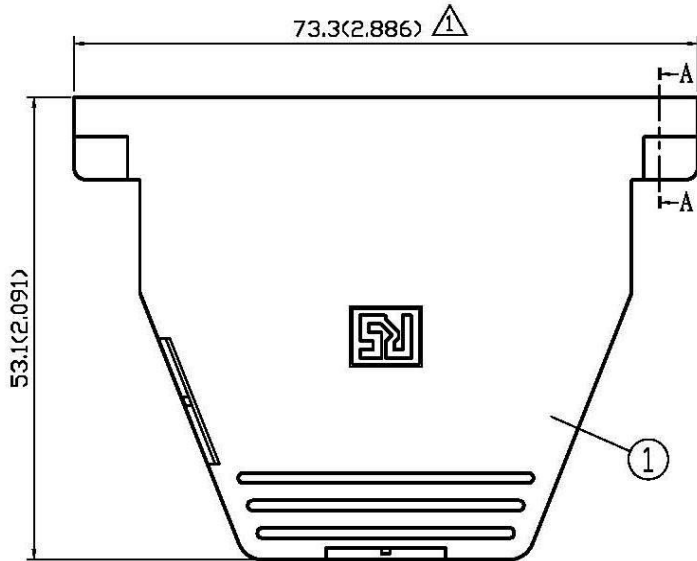
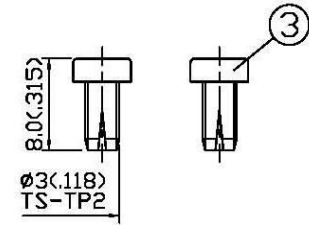
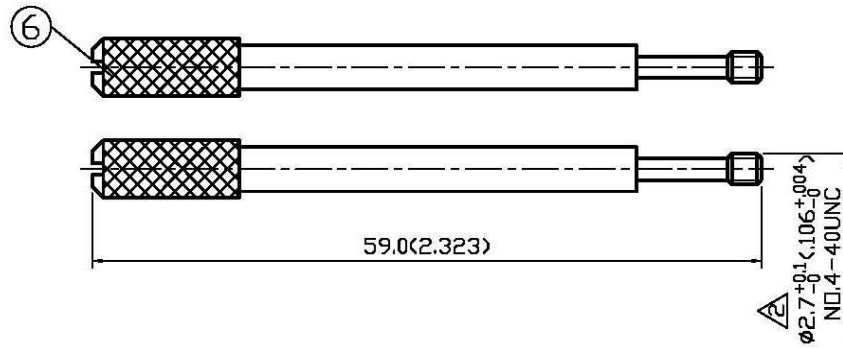


NO	DESCRIPTION	DATE
⚠	ADD MIS PART NO. 73.4 → 73.3	04.01.04'
⚠	ADD A-A SECTION ø2.7 → ø2.7 ^{+0.1} ₋₀	12.02.04'
⚠	ADD (P/N:544-3446)	04.15.10'



⚠ MIS PART NO: 069-0037H-03 (P/N:544-3446) ⚠

APPROVED

by _____ DATE: _____

NO	DESCRIPTION	MATERIAL	Q'TY	FINISH
7	SPRING	IRON	1	ZINC
6	SCREW	IRON	2	ZINC
5	SCREW	IRON	2	ZINC
4	SCREW	IRON	2	ZINC
3	SCREW	IRON	2	ZINC
2	CAP	ABS	1	NONE
1	BODY	ABS	1	NONE

⚠ A-A SECTION



DESCRIPTION		37PIN D-HOOD-3	
製圖	DRAWN	TOLERANCE	品名
Yoko	.X	±0.2	37PIN D-HOOD-3
檢圖	CHECK	.XX	UNIT
Arc	.XXX	±0.05	mm(in)
認定	APPROVAL	ANGLE	SCALE
Angela	±5°	比例	2:1
TITLE		DWG.NO.	
\ROHS COMPLIANT		55-0088	
日期	DATE	版次	REV.
10.30.96'		A-3	