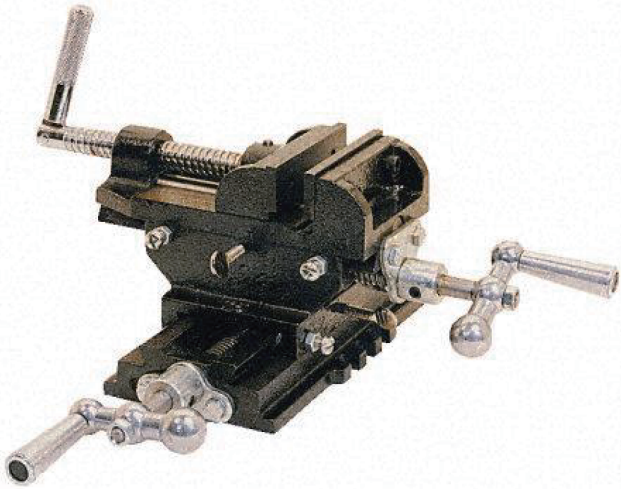


## Datasheet

# Milling Vice

Stock No: 104-997



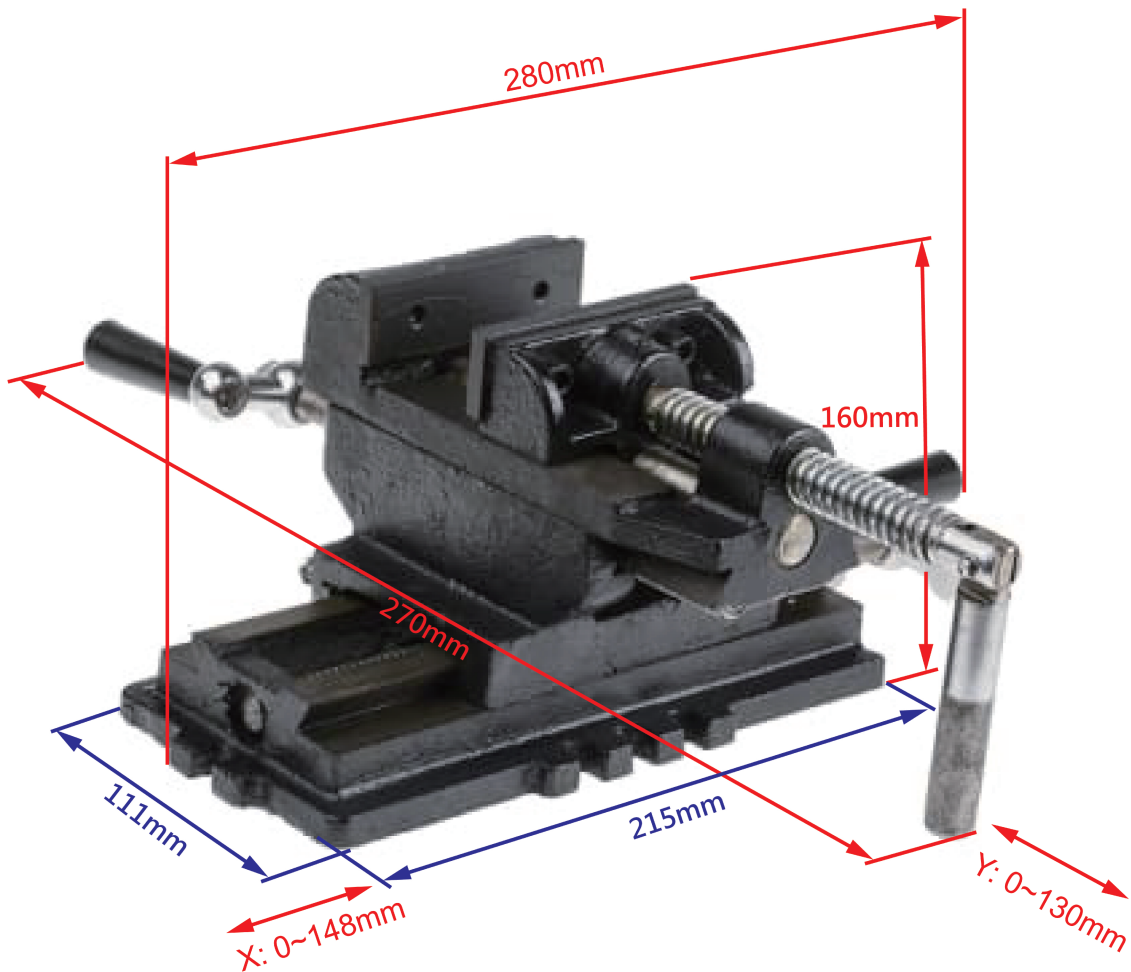
## Technical Specifications:

Jaw Opening :	72mm
Jaw Width :	72mm
Mounting :	Bolts
Type :	Milling Vice
Weight :	6.6 kg

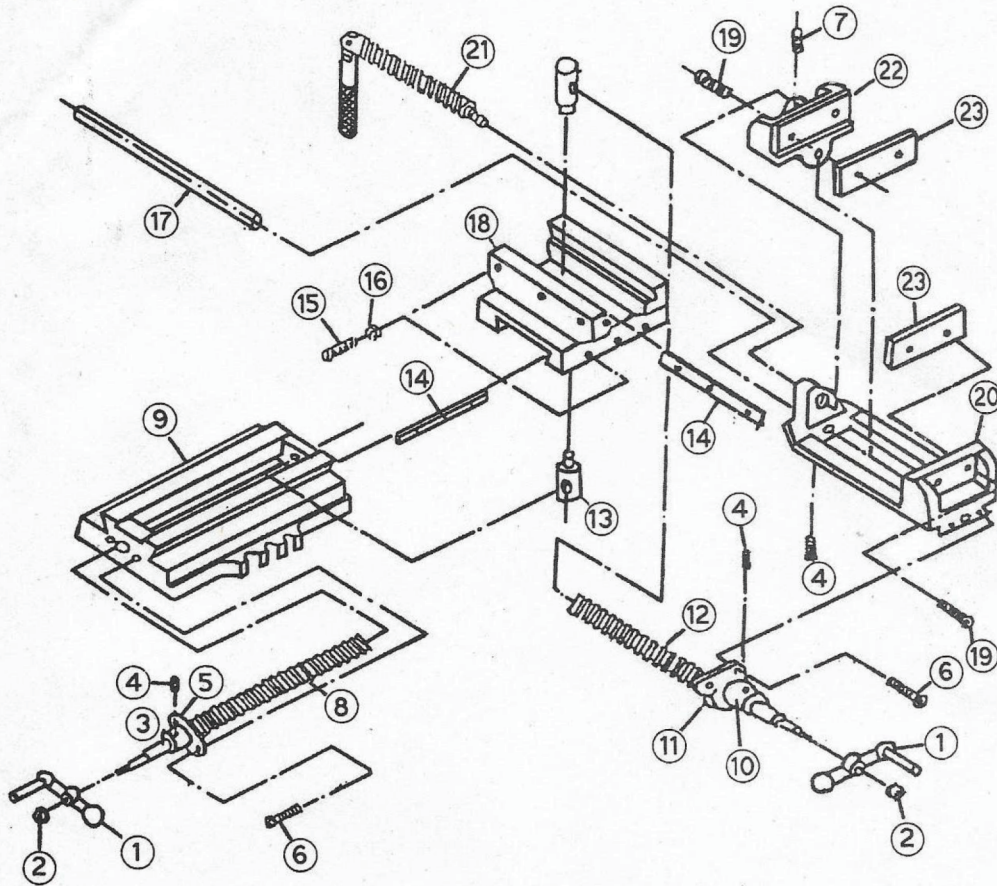
## Features & Benefits:

- General purpose cross vice, with 72mm width steel jaws.
- Accurately moves the work in two directions along the X and Y axis.
- Two axis cross slide precision adjustment allows for perfectly exact alignment, centering and drilling.
- Hardened and ground steel jaws.

## Dimensional line drawings



# General



NO.	DESCRIPTION	QTY	NO.	DESCRIPTION	QTY	NO.	DESCRIPTION	QTY
1	HANDLE	2	9	BASE	1	17	CENTRAL SLIND BAR	1
2	NUT	2	10	BUSHING	1	18	MID — BASE	1
3	BUSHING	1	11	BRACKET	1	19	LOCK SCREW	4
4	SCREW	3	12	LEAD SCREW	1	20	UPPER — BASE	1
5	BRACKET	1	13	NUT	1	21	LEAD SCREW	1
6	LOCK SCREW	4	14	GIB	2	22	SLIDE	1
7	SCREW	1	15	SCREW	6	23	JAWPLATE	2
8	LEAD SCREW	1	16	NUT	6			