

Inductive Sensor M18 - Long Housing



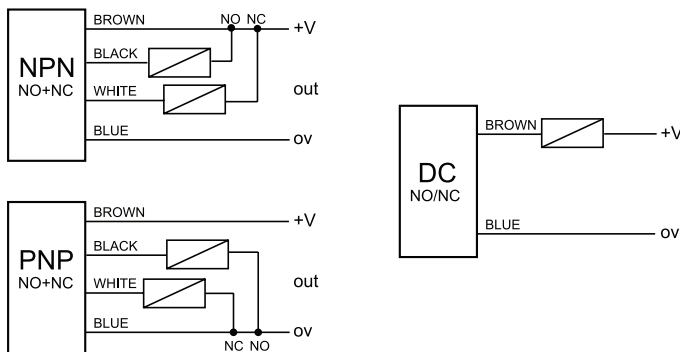
Features:

- Inductive sensor
- DC 3-wire (10-30V DC)
- 3/4 wire Connection mode
- Shielded type (5mm)
- With LED operation indicate lamp, easily identifiable
- Brass chrome plated, proof of oil, water acid, alkaline
- Over-current protection
- Widely applied in measuring, Counting, Rpm measuring in mechanism, chemical, paper manufacture light industry, etc.

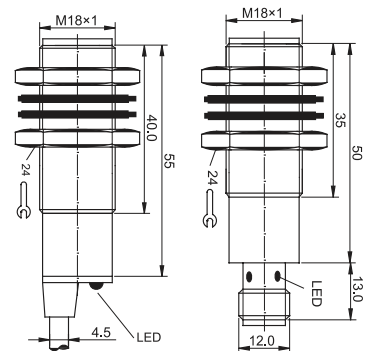
Specifications:

| | |
|---------------------------|------------------------------|
| Style | : Cylinder shape |
| Sensing Distance | : 0 to 4mm shielded |
| Diameter | : 18mm |
| Mounting Distance | : Shielded (5mm) |
| Standard Sensing Object | : ferrous metals |
| Protection Rate | : IP67, water resistant |
| Frequency | : 700Hz/400Hz (DC 3/2 wires) |
| Current Output (DC/AC) | : ≤ 200mA |
| Power Supply | : 10 to 30V DC |
| Ambient temperature | : -20°C to +70°C |
| Against Polarity Reversal | : YES |

Electrical Connection:



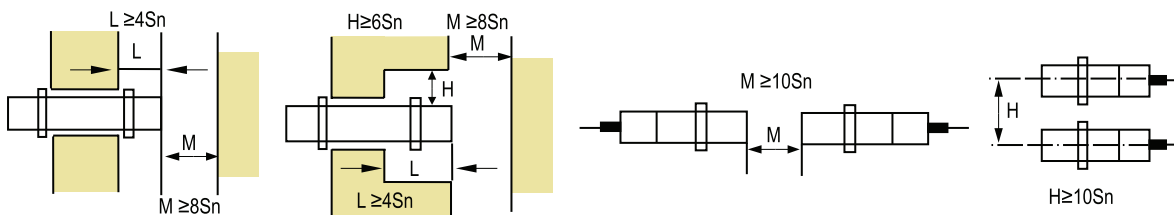
Picture of Product



Shielded Dimensions : Millimetres

Installation

If used in an area surrounded by metal, Install the proximity Sensor as follows . (Sn = Sensing distance)



www.element14.com
www.farnell.com
www.newark.com

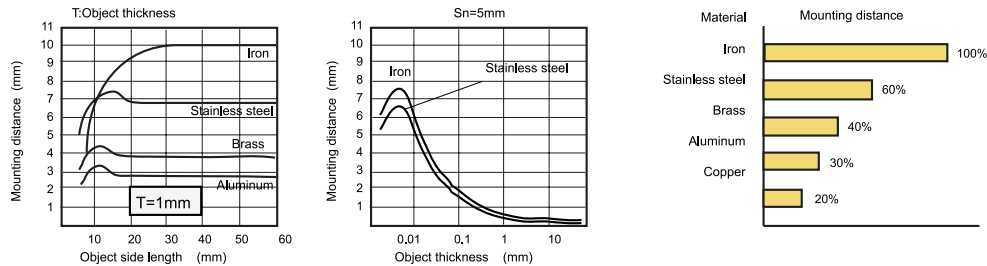


Inductive Sensor M18 - Long Housing

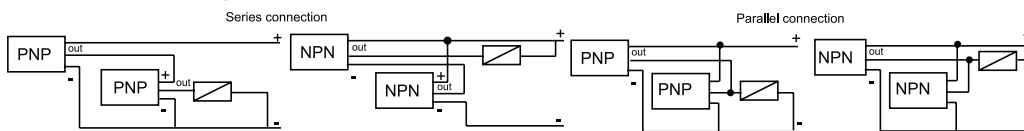


Inductive Proximity Application Direction

- Set mounting distance equal to 80% of Sn.
- Set mounting distance roughly equal to 50% of Sn when sensor is used measuring mounting frequency or operating in high speed circumstances.
- Mounting distance will change depending on material (iron, stainless steel, brass, copper and aluminum).



d. Inductive Proximity series connection and parallel connection



Part Number Table

| Description | Connector Model | Output Type | Part Number |
|---------------------------------|----------------------------|-------------|----------------|
| Sensor, M18, NPN, Shielded, NO | 3 Wire | NPN NO | MCPIN-T18L-001 |
| Sensor, M18, NPN, Shielded, NC | 3 Wire | NPN NC | MCPIN-T18L-011 |
| Sensor, M18, NPN, Shielded, NO | Straight Plug In Connector | NPN NO | MCPIN-T18L-101 |
| Sensor, M18, NPN, Shielded, NC | Straight Plug In Connector | NPN NC | MCPIN-T18L-111 |
| Sensor, M18, PNP, Shielded, NO | 3 Wire | PNP NO | MCPIP-T18L-001 |
| Sensor, M18, PNP, Shielded, NC | 3 Wire | PNP NC | MCPIP-T18L-011 |
| Sensor, Inductive, 4mm, 10V-30V | Straight Plug In Connector | PNP NO | MCPIP-T18L-101 |
| Sensor, Inductive, 4mm, 10V-30V | Straight Plug In Connector | PNP NC | MCPIP-T18L-111 |

Important Notice : This data sheet and its contents (the "Information") belong to the members of the Premier Farnell group of companies (the "Group") or are licensed to it. No licence is granted for the use of it other than for information purposes in connection with the products to which it relates. No licence of any intellectual property rights is granted. The Information is subject to change without notice and replaces all data sheets previously supplied. The Information supplied is believed to be accurate but the Group assumes no responsibility for its accuracy or completeness, any error in or omission from it or for any use made of it. Users of this data sheet should check for themselves the Information and the suitability of the products for their purpose and not make any assumptions based on information included or omitted. Liability for loss or damage resulting from any reliance on the Information or use of it (including liability resulting from negligence or where the Group was aware of the possibility of such loss or damage arising) is excluded. This will not operate to limit or restrict the Group's liability for death or personal injury resulting from its negligence. Multicomp is the registered trademark of the Group. © Premier Farnell plc 2012.

