



Product Datasheet

ENGLISH

BUTT CONNECTORS



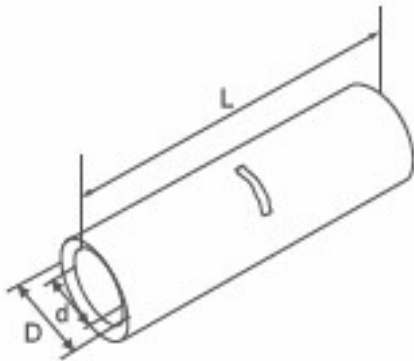
Specification

MATERIAL: HIGH CONDUCTIVITY COPPER TO BS2871

PURITY: >99.9%

COATING: TIN

Dimensions



RS CODE	SIZE	D	d	L
	(mm) ²			
8417670	6	5.9	4	20
8417673	10	6.6	4.5	23
8417677	16	7.5	5.5	30
8417686	25	9.1	6.7	35
8417689	35	11	8.6	40
8417683	50	12.4	9.5	40
8417692	70	15	12	45