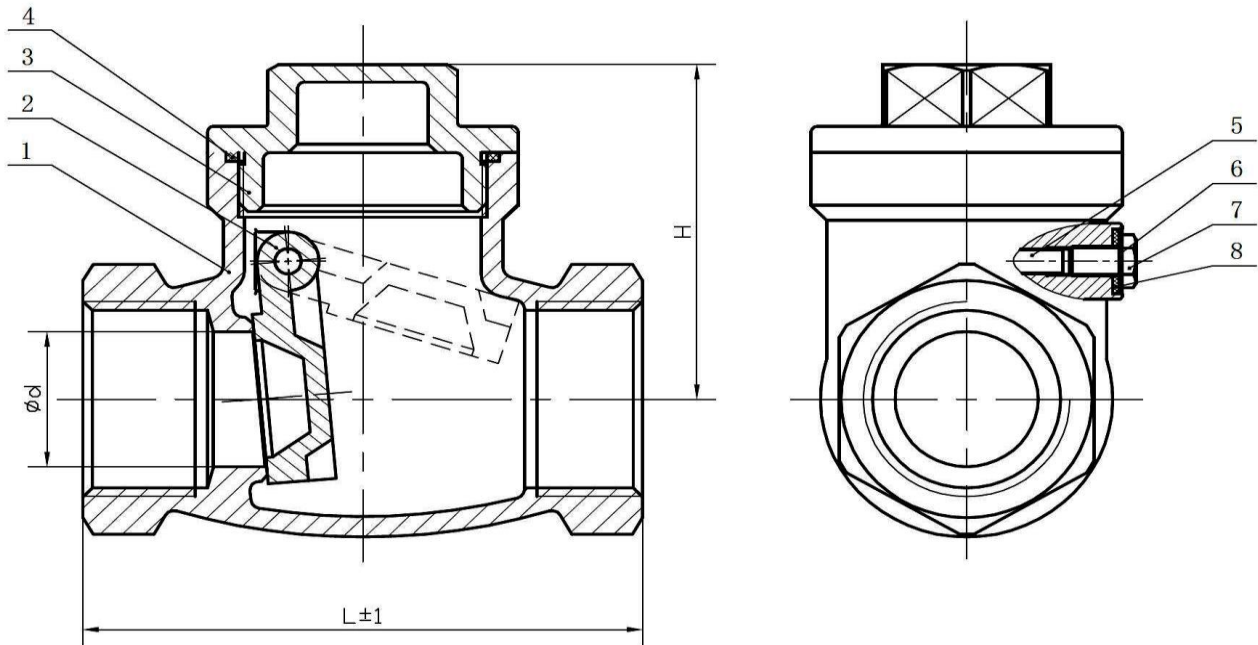


## Brass Threaded End Swing Check Valves

### Features

- Horizontal Swing Type
- Material: Brass
- Size: 1/2" – 4" (DN15 – DN100)
- Working Pressure: 200 PSI/300 PSI
- Threaded End: NPT
- Applicable Medium: General oil, gas & water applications
- Temperature Range: -10°C to 100°C



### Technical Specifications

1. Basic design and manufacture according to ANSI B16.34.
2. Threaded ends complied with ANSI B1.20.1.
3. Inspection according to API598.

## Ordering Information

VL - B - SC - N - 200 - 08  
 I II III IV V VI

### I Type of Item

VL Low Pressure Valves

### II Material Grade

S	SS316, CF8M	CI	Cast Iron
FS	Forged Steel	CS	Cast Steel
B	Brass		

### III Item

GA	Gate Valve	B1	1 PC Ball Valve
GL	Globe Valve	B2	2 PC Ball Valve
YS	Y-Strainer	B3	3 PC Ball Valve
SC	Swing Check Valve	BL	3 Way Ball Valve L Port
VC	Vertical Check Valve	BT	3 Way Ball Valve T Port
WC	Wafer Check Valve	BMF	Male x Female Mini Ball Valve
DD	Dual Disk	BU	Butterfly Valve

### IV Connection Type

SW	S/W	G	BSPP
BW	B/W	N	NPT
R	BSPT	F	Flange End
W	Wafer	L	Lug

### V Pressure

200	200 PSI	2000	2000 PSI
300	300 PSI	150	ANSI 150# Flange Standard
600	600 PSI	10K	JIS 10K Flange Standard
800	800 PSI	PN16	PN 16 Flange Standard
1000	1000 PSI		

### For Inch OD & Inch NB Sizes

#### VI Size

Size	1/8"	1/4"	5/16"	3/8"	1/2"	5/8"	3/4"	1"
Code	02	04	05	06	08	10	12	16
Size	1 1/4"	1 1/2"	2"	2 1/2"	3"	4"	5"	6"
Code	20	24	32	40	48	64	80	96

### VII Coating

(None) No Additional Coating  
 NI Nickel Plating

## Material List

No.	Part Name	Material
1	Body	Brass
2	Disc	Brass
3	Cap	Brass
4	Body Gasket	PTFE
5	Pin	Brass
6	Plain washer	Brass
7	Bolt	Brass
8	Gasket	PTFE

## Dimension List

NPS	Connection	Impa Code	Part No	L	H	d	Weight (Kg)
1/2"	NPT	-	VL-B-SC-N-200-08	45	31	12.8	0.13
3/4"	NPT	-	VL-B-SC-N-300-12	55	36	17.0	0.18
1"	NPT	-	VL-B-SC-N-300-16	61.5	43	23.0	0.28
1 1/4"	NPT	-	VL-B-SC-N-300-20	68	54	29.5	0.45
1 1/2"	NPT	-	VL-B-SC-N-300-24	83	57	31.0	0.55
2"	NPT	-	VL-B-SC-N-300-32	95.5	68	41.0	0.86
2 1/2"	NPT	-	VL-B-SC-N-200-40	120	78	57.0	1.80
3"	NPT	-	VL-B-SC-N-300-48	144	86	66.0	2.60
4"	NPT	-	VL-B-SC-N-300-64	164	105	91.0	4.20

## Part Number Reference

Impa Code	Part No	Description
-	VL-B-SC-N-200-08	1/2"NPT BRASS SWING CHECK VALVE (200 PSI)
-	VL-B-SC-N-300-12	3/4"NPT BRASS SWING CHECK VALVE (300 PSI)
-	VL-B-SC-N-300-16	1"NPT BRASS SWING CHECK VALVE (300 PSI)
-	VL-B-SC-N-300-20	1 1/4"NPT BRASS SWING CHECK VALVE (300 PSI)
-	VL-B-SC-N-300-24	1 1/2"NPT BRASS SWING CHECK VALVE (300 PSI)
-	VL-B-SC-N-300-32	2"NPT BRASS SWING CHECK VALVE (300 PSI)
-	VL-B-SC-N-200-40	2 1/2"NPT BRASS SWING CHECK VALVE (200 PSI)
-	VL-B-SC-N-300-48	3"NPT BRASS SWING CHECK VALVE (300 PSI)
-	VL-B-SC-N-300-64	4"NPT BRASS SWING CHECK VALVE (300 PSI)