



EN

## Datasheet

# RS PRO VINYL-INSULATED (MOLDED EASY ENTRY) SPADE TERMINALS

Stock number: 178-8730

### MAXIMUM ELECTRIC CURRENT:

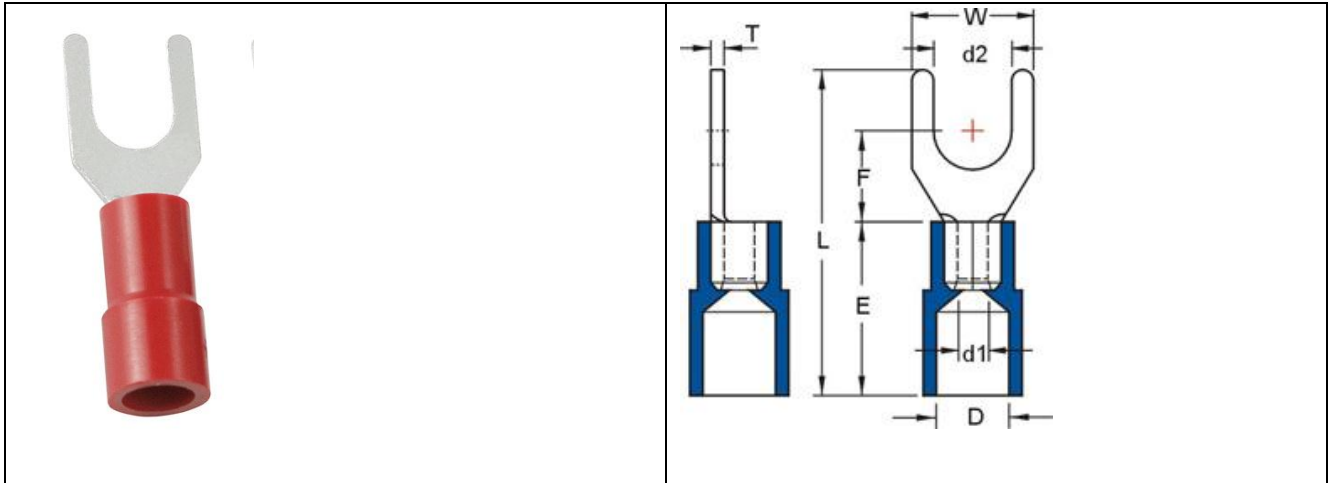
A.W.G.	22	20	18	16
AMP.	9	12	17	18

MAXIMUM ELECTRICAL RATING: 105° C 600 VOLTS MAX.

INSULATION MATERIAL: VINYL (PVC)

TERMINAL MATERIAL: COPPER

INSULATION COLOR: RED



WIRE RANGE A.W.G. mm <sup>2</sup>	ITEM NO.	STUD SIZE d2	DIMENSION inch(mm)							
			BUTTED SEAM	W	F	L	E	D	d1	T
22-16 A.W.G.	178-8730	#6	0.146 3.7	0.283 7.2	0.256 6.5	0.886 22	0.433 11	0.157 4.000	0.067 1.7	0.03 0.75
0.5-1.5 mm <sup>2</sup>										