



# Datasheet

## RS Pro Stubby Slotted Screwdrivers

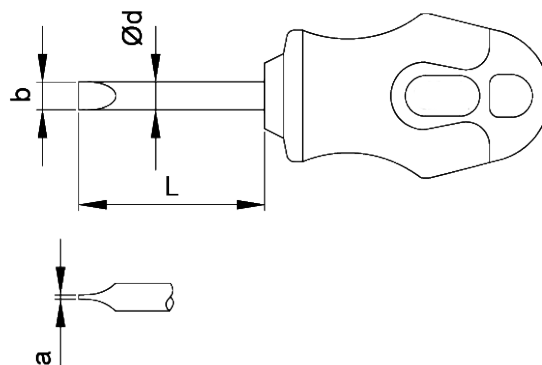
EN





### Product feature:

DIN ISO 2380-1/2, ISO 2380-1

- Stubby design ideal for tight spaces, cabinet tip
- Chrome Vanadium Molybdenum steel blade
- Matt chrome finish
- Softgrip handle



RS CODE NO	CODE NO	b mm	a mm	Ød mm	L mm	 mm	 gr
1829683	F13-040-025RS	4.0	0.8	4.0	25	60	34
1829684	F13-055-025RS	5.5	1.0	5.5	25	60	40
1829685	F13-065-025RS	6.5	1.2	6.5	25	60	44