

## FEATURES

- Easy to fit.
- The hexagonal body allows tightening with a wrench
- Better level of corrosion resistance provided by the brass build and nickel plating
- Available in different lengths
- Male/Female and Female/female fittings available in this range.
- These brass standoffs maintain electrical conductivity when looking to maintain a circuit

## RS PRO Brass Hex Standoff Female/Female, 25mm, M4xM4

RS Stock No.: 222-503



RS Professionally Approved Products bring to you professional quality parts across all product categories. Our product range has been tested by engineers and provides a comparable quality to the leading brands without paying a premium price.

### Product Description

From RS PRO, comes a range of high quality and robust Hex standoffs. Manufactured with nickel-plated brass these adaptable standoffs are a fantastic solution for securely mounting your PCB. These standoffs are ideal for temperature reduction of equipment by improving the airflow to components.

### General Specifications

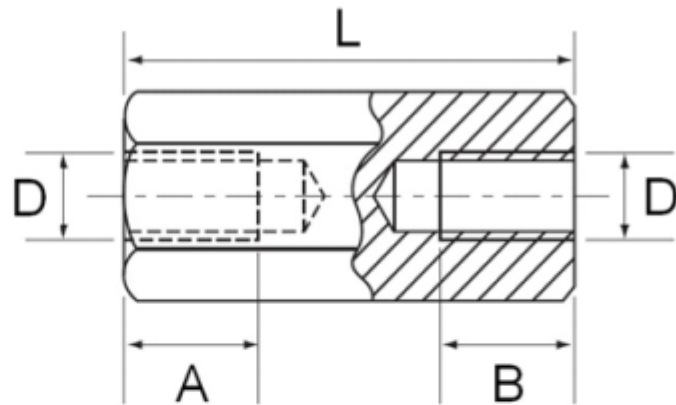
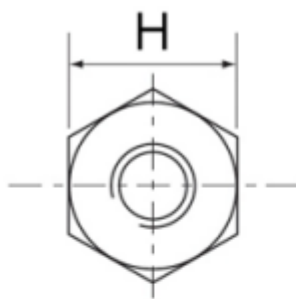
<b>Gender Type</b>	Female/Female
<b>Material</b>	Brass
<b>Body Shape</b>	Hex
<b>Finish</b>	Nickel Plated
<b>Plating</b>	Nickel
<b>Application</b>	Office machinery, Telecommunications equipment, Consumer electronics, Audio visual equipment

### Mechanical Specifications

<b>Body Length</b>	25mm
<b>Thread Size</b>	M4 x M4
<b>Thread Size A</b>	M4
<b>Thread Size B</b>	M4
<b>Hex Size Across Flat</b>	7mm
<b>Hole Depth</b>	10mm
<b>Internal Thread Size</b>	10mm

### Approvals

<b>Compliance/Certifications</b>	EN61340
----------------------------------	---------



No	RS. Article No.	Material	Finish	H	D	Hole(A/B)		L
1	222468	Brass	Nickel Plated	7	M4	5		5
2	222474					6		6
3	222480					10		10
4	222496					20		20
5	222503					10	10	25