

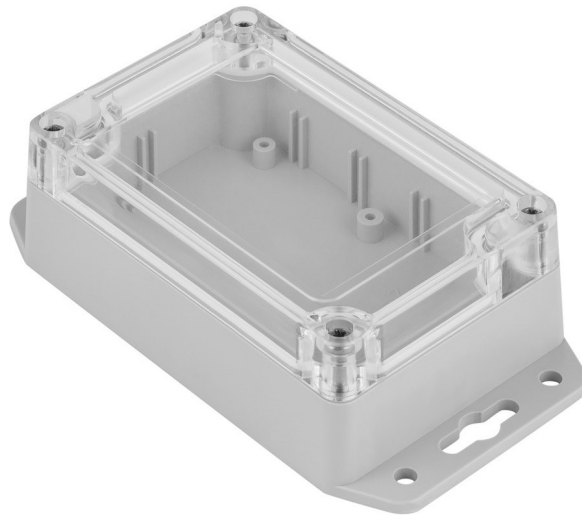


Datasheet

RS PRO Hermetically Sealed Enclosures

Stock number: 1920727

EN

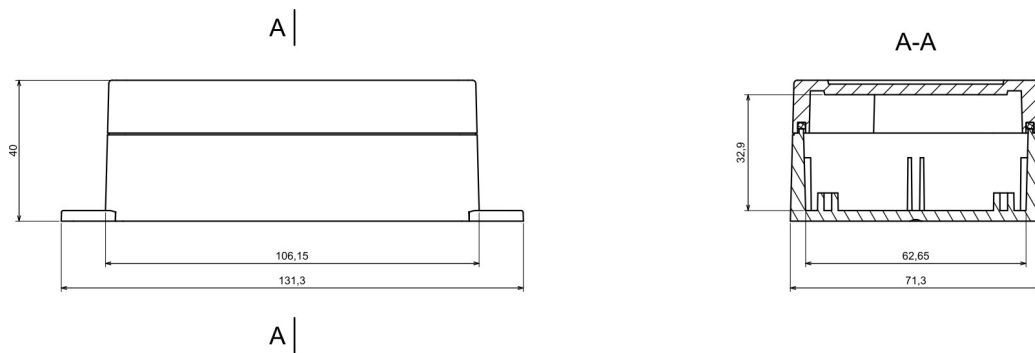


Product Details

Hermetic enclosure ideal for applications requiring protection against water ingress. Manufactured with polyurethane gasket that provides up to IP68 rating. Lid manufactured with recess for membrane keypads and overlays. Threaded brass inserts ensures reliable assembly of the enclosure.

Features and Benefits

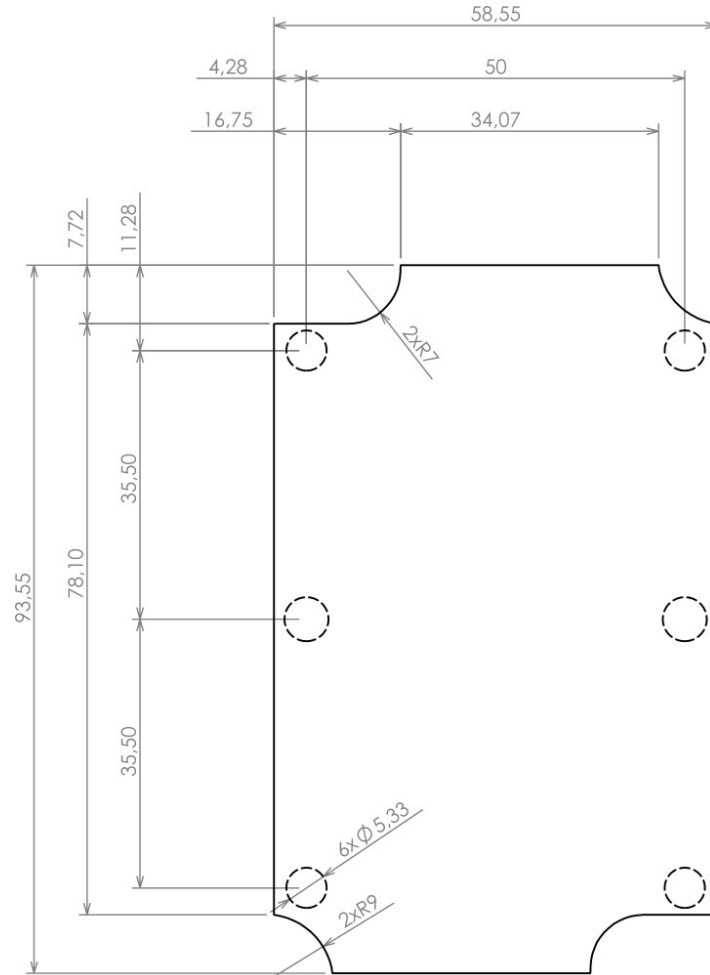
- Lid made of PC, base made of ABS
- Available in light gray color
- Protection against liquids and solid objects: IP68 rating
- Shock protection level: IK07
- Supplied with four screws
- Lid with recess for keypads and overlays
- Threaded brass inserts for reliable assembly.



Category	Hermetically Sealed Enclosures
Type	Full with lug (U)
Material	ABS, PC
Variant	Hermetic with brass bushing (S TM)
Height	40.0 mm
Width	70.0 mm
Length	105.0 mm
Color	Lightgray (J)
Protection level	IP65/IP68
Shock protection level	IK07
Standards Met	RoHS Compliant
Accessories	Screw 3/20: 4.0 pcs
Certificate number	CE/032/18, Z/12/029118



Max PCB size



Dashed line shows outline of the mounting boss under PCB board
Recommended mounting holes diameter ϕ 4mm
All dimensions are given within +/-0,5mm tolerance