

FEATURES

- Chrome plated brass ball for longer life
- Compression fitting connection type
- Handle clearly shows ball position
- No metal-to-metal moving parts
- No maintenance ever required

RS PRO Brass Reduced Bore Ball Valve 2 Way

RS Stock No.: 486-293



RS Professionally Approved Products bring to you professional quality parts across all product categories. Our product range has been tested by engineers and provides a comparable quality to the leading brands without paying a premium price.

Product Description

RS PRO quarter-turn manual ball valves feature a dual sealing system that allows the valve to be operated in either direction making installation easier. Manual ball valves are used to operate shut off valves which control water flow and pressure. With no metal-to-metal moving parts and a chrome plated ball, the RS PRO manual valves provide simple shut-off functionality for a range of applications such as drinking water, water and plumbing. The manual turn lever can be operated in either direction and features indicating arrows to clearly show the position of the ball and flow of media within the valve. Suitable for domestic water services, heating and air-conditioning plants and compressed air systems.

General Specifications

Attachment Type	Compression
Body Material	Brass
Compression Fitting Size	15mm
Thread Size	15mm
Safe For Use With	Gas, Oil, Petrol, Water
Type	2 Way
Application	Heating systems; Water treatment; Liquid flow control

Mechanical Specifications

Connection Size	15mm
------------------------	------

Operation Environment Specifications

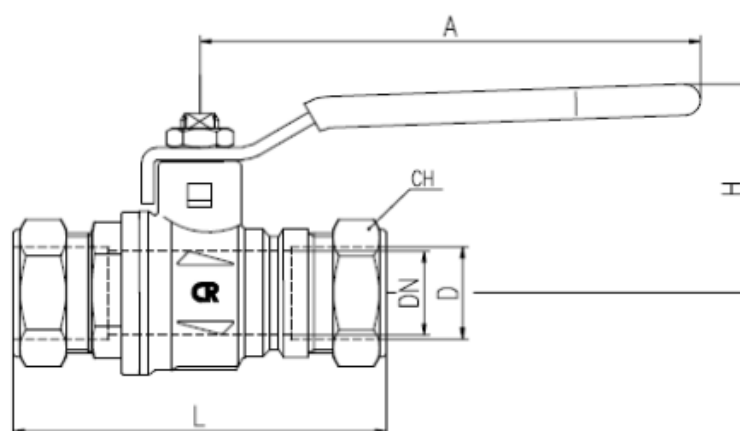
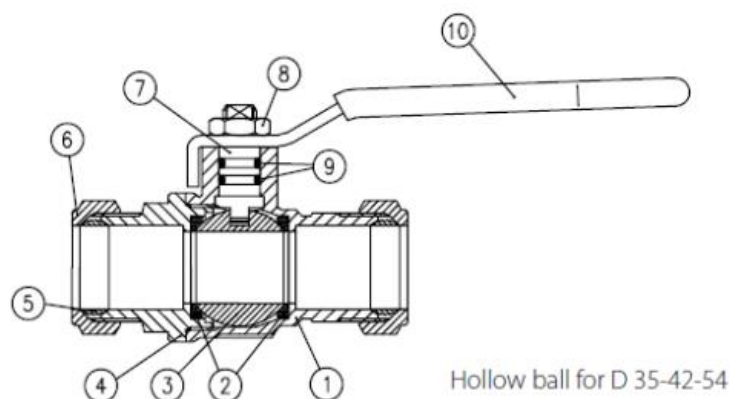
Maximum Working Pressure	16 bar
---------------------------------	--------

Approvals

Compliance/Certifications	WRAS (UK), KIWA-Swedcert (Sweden), GOST-R (Russia), Expert Conclusion (Russia), EAC Conforming (Russia), UkrSepro (Ukraine), RoHS Compliant, ISO 6509
----------------------------------	---

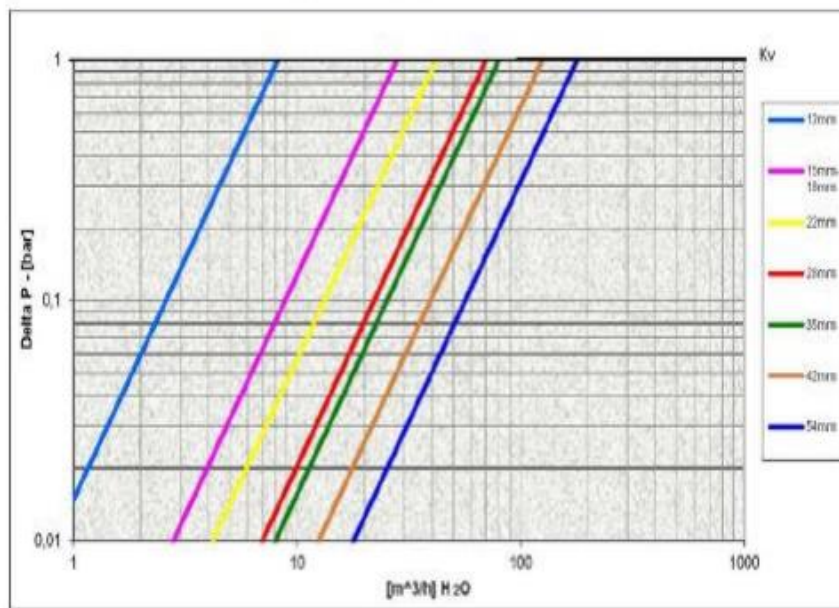


PART DESCRIPTION		Q.TY	MATERIAL
1	Unplated body	1	CW602N
2	Ball seat	2	PTFE
3	Chrome plated ball	1	CW602N
4	Unplated end cap	1	CW602N
5	Olive	2	CW617N
6	Unplated nut	2	CW617N
7	Unplated stem O-ring design	1	CW602N
8	Geomet® nut	1	CB4FF
9	O-Ring	2	FPM
10	White PVC coated Geomet® steel handle	1	DD11



Valve code	S28C12	S28D15	S28D18	S28E22	S28F28	S28G35	S28H42	S28I54
D (mm)	12	15	18	22	28	35	42	54
DN (mm)	10	15	15	20	25	32	40	50
L (mm)	67	72	78.5	79	90.5	110	128.5	142
A (mm)	100	100	100	120	120	158	158	158
H (mm)	38	43	43	50	54	73	79	86
CH (mm)	19	24	27	32	38.5	48	54	70

Pressure Drop Chart



Pressure-Temperature Chart

