

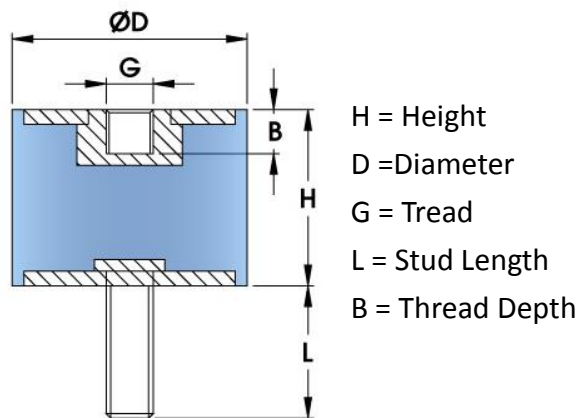


ENGLISH

MALE- FEMALE Cylindrical mounts,

A simple and cost-effective mount. For use in compression and shear. A very large range of available size and studs.

Please note that thread depth 'B' is same as the thread size, i.e. M6 stud will have a 3mm deep (B) female metal fixing.



RS Code	Item Code	Description	D (mm)	H (mm)	G x L (mm)	Max Compression Load (kg)	Max Shear Load (kg)
1623233	B2020M618-2	Cyl. Mount (M/F) 20x20mm M6x18 60 ShA	20	20	M6x18	25.85	9.2
1623246	B2515M618-3	Cyl. Mount (M/F) 25x15mm M6x18 70 ShA	25	15	M6x18	69.8	21
1623239	B2525M820-3	Cyl. Mount (M/F) 25x25mm M8x20 70 ShA	25	25	M8x20	59	21