

Datasheet

Stock No: 828-410

RS Pro 2m Male SCSI II to Male DB50 SCSI Cable Assembly, Clip



Product Details

SCSI II Cable Assemblies

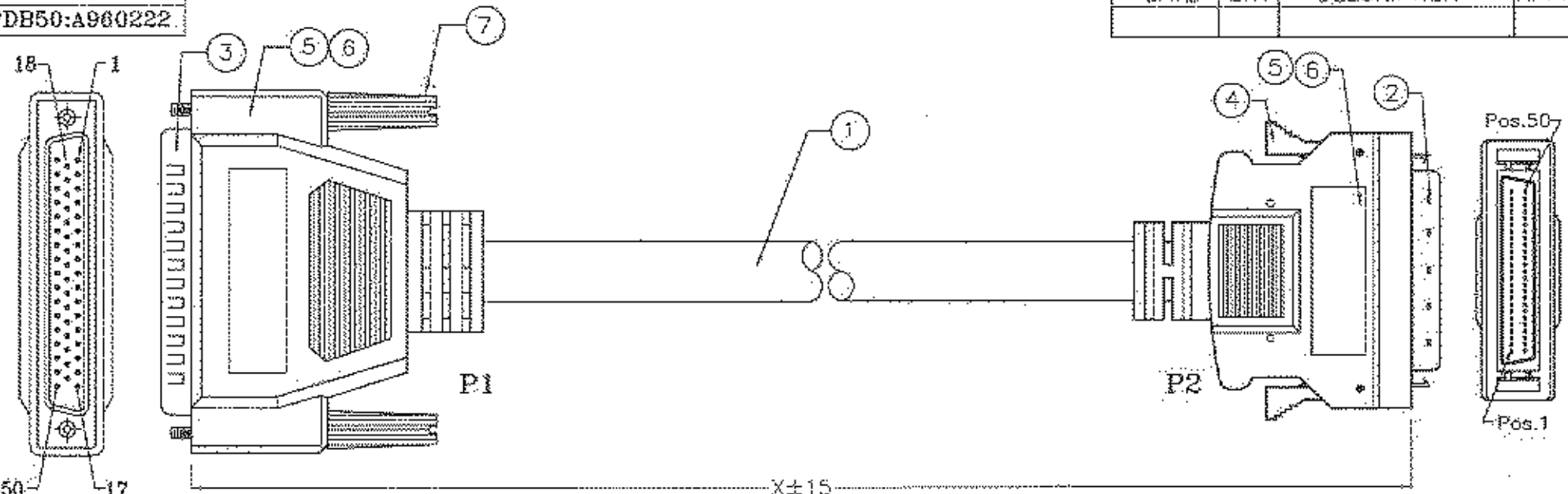
- 50 way high density Centronics SCSI II connector
- Fully moulded and shielded against RFI/EMI interference
- High impact case
- Centronics to Centronics assemblies
- Clip retainer

Specifications:

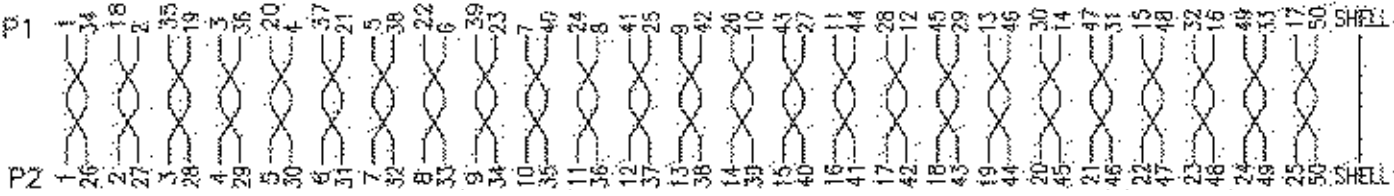
Connector A	Male SCSI II
Connector B	Male DB50
Length	2m
Fastener Type	Clip

Tooling NO.
DH50:
HPDB50:A960222

REVISIONS			
DATE	LTR	DESCRIPTION	APPRO



PIN ASSIGNMENT:



Specifications

Shielding	100% of Mylar Foil
Current Rating	2A max
Operating voltage	300V max
Temperature Rating	80°C
Contact Resistance	15m ohm max
Mating Cycles	500

TABLE

Part No	Length(X)
829-404	500±15
CD50MC50M285CG016AM-D1E	
829-410	2000±50
CD50MC50M285CG016AM-D1E	

7	2	EA	MS044040465NIP0001	#4-40 4*46.5 Thumbscrew, Moding: Light Gray.
6		KG	DVIN040BGC001	Outer Molded PVC Color: Light Gray.
5		mm	SFC3010001	Copper Foil 350' Soldered.
4	2	EA	FLRD50NIPXX0001	Latch A4 Type, Color: Light Gray.
3	1	EA	CDSUB050MBKNIT000002	DB50 Male, Contact: Gold Flash, Insulation: Black Color, PBT UL94V-0
2	1	EA	CHPDB050MBKNIP000004	HPDB50 Male, Contact: Gold Flash, Insulation: Black Color, PBT UL94V-0
1		EA	W299028GR25PB00P5M01	UL2990 28AWG 25TW/PR, Al/Foil+Drain +Braid, Color: Light Gray.

UNLESS OTHERWISE SPECIFIED
TOLERANCE:
X .40.2 ANGLES: ±2
XX .30.1
XXX .40.65 DO NOT SCALE DRAWING

DRAWN BY: **ENWEN**

CHECKED BY: *[Signature]*

APPROVED BY: *[Signature]*

TITLE: **SCSI II HPDB50M TO DB50M**

SCALE: 1:1

ITEM	QTY	U/M	PART NO.	DESCRIPTION