

Specifications

Electrical:

Max. Contact Rating : Silver : 5A at 120V AC or 28V DC, 2A at 250V AC, **A***
 Gold : 0.4VA at 20V (AC or DC), **B***

Max. Contact Resistance : 10mΩ

Min. Insulation Resistance : 1,000MΩ at 500V DC

Dielectric Strength : 1,000V rms

Material:

Case : DAP

Housing : Stainless steel

Actuator : Brass, chrome plated

Bushing : Brass, nickel plated

Support : Brass, tin plated

Contact / Terminals : Copper alloy, silver or gold plated

Environmental:




Operating Temperature : -30°C to +85°C

Mechanical:




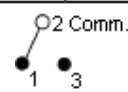
Life : 40,000 cycles



Specification Table

Part Number	Max. Contact Rating	Part Number	Max. Contact Rating	Switching Position		
						
SPC21516	A*	SPC21259	A*	ON	NONE	ON
SPC21260	B*	SPC21269	A*			
SPC21274	A*	SPC21279	B*			
SPC21255	A*	SPC21261	A*	ON	NONE	MOM
SPC21262	B*	SPC21270	A*			
SPC21410	A*	SPC21275	A*			
SPC21280	B*	-	-	ON	OFF	ON
SPC21256	A*	SPC21263	A*			
SPC21264	B*	SPC21271	A*			
SPC21276	A*	SPC21281	B*	MOM	OFF	MOM
SPC21257	A*	SPC21265	A*			
SPC21266	B*	SPC21272	A*			
SPC21411	A*	SPC21277	A*	ON	OFF	MOM
SPC21282	B*	-	-			
SPC21258	A*	SPC21267	A*			
SPC21268	B*	SPC21273	A*	ON	OFF	MOM
SPC21278	A*	SPC21283	B*			

Toggle Switches

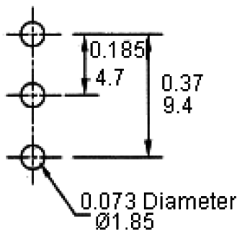
Part Number	Max. Contact Rating	Part Number	Max. Contact Rating	Switching Position		
						
Conn. Terms				2-3	OPEN	2-1
Schematic						

Diagrams

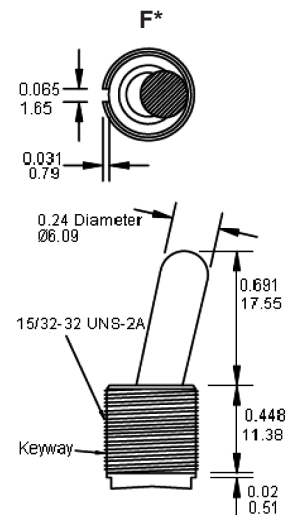
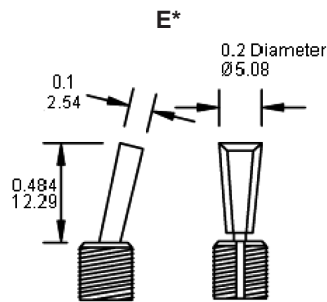
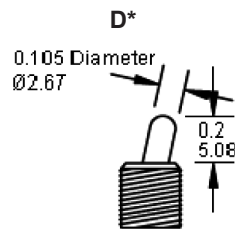
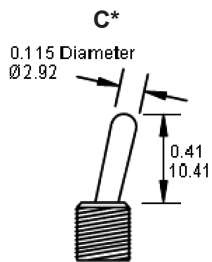
For PC Mount Termination Only

PCB Layout

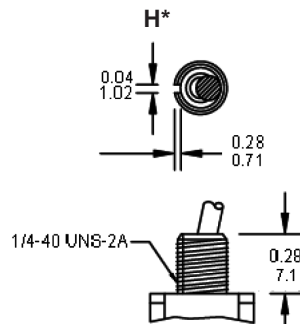
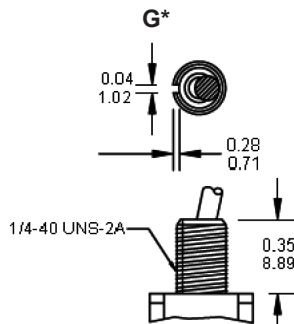
Component Side



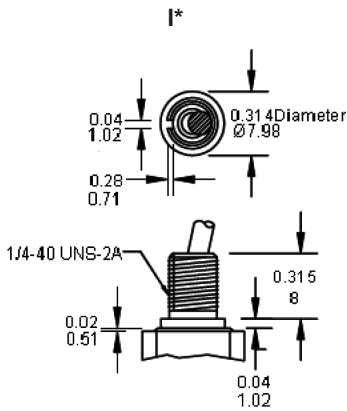
Actuator Options



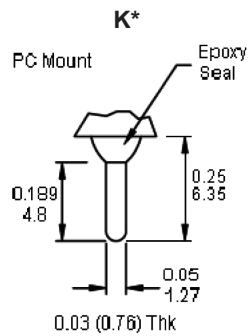
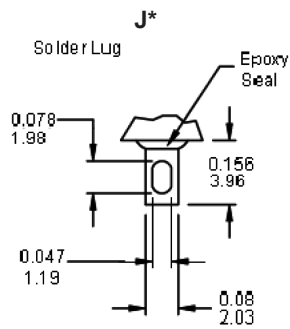
Bushing Options



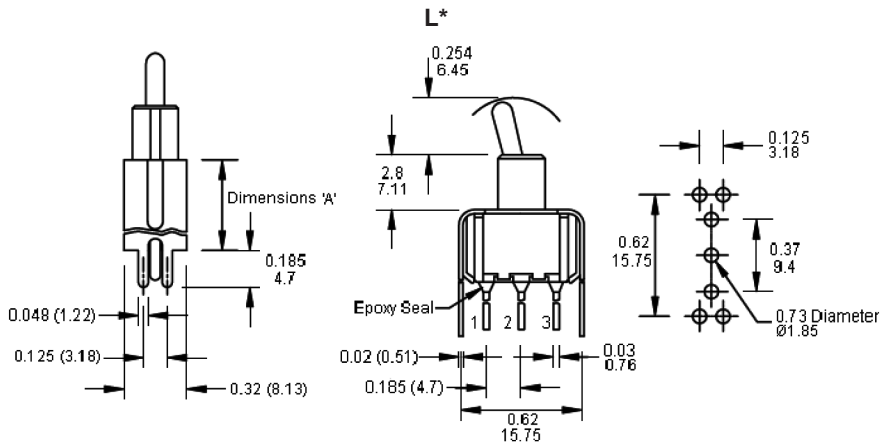
Dimensions : Inches (Millimetres)



Termination Options



Vertical Support Bracket

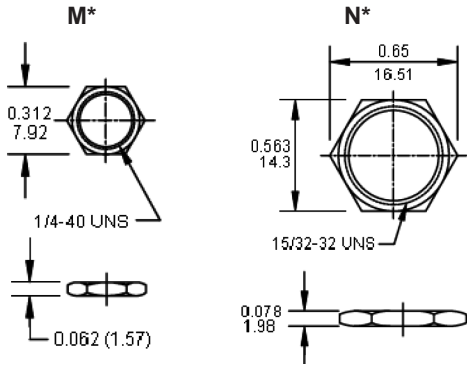


Dimension Table

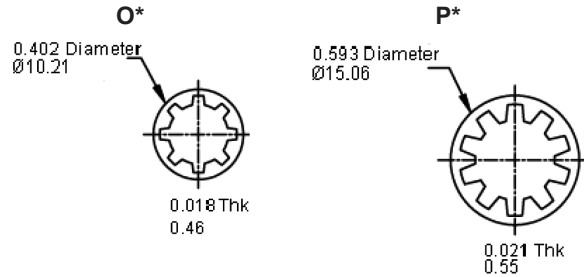
"A"
0.46 (11.68)

Dimensions : Inches (Millimetres)

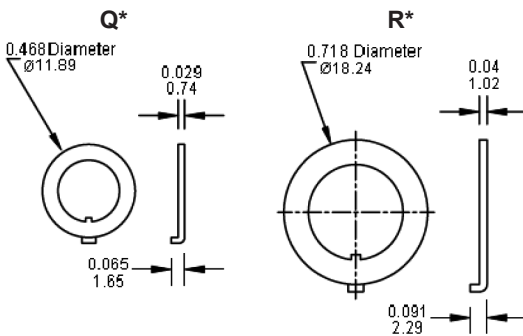
Standard Nuts



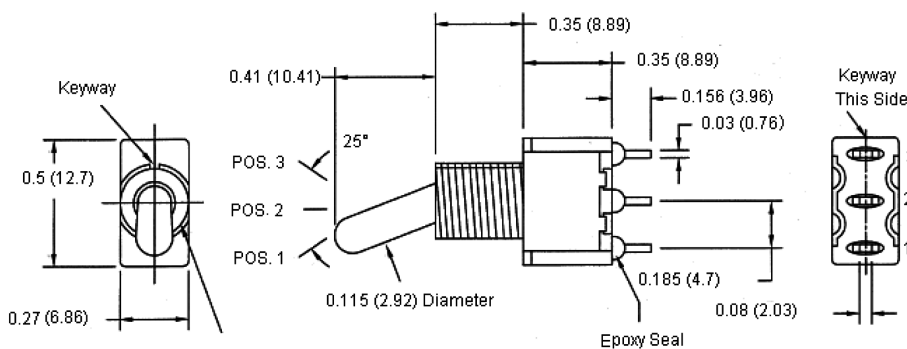
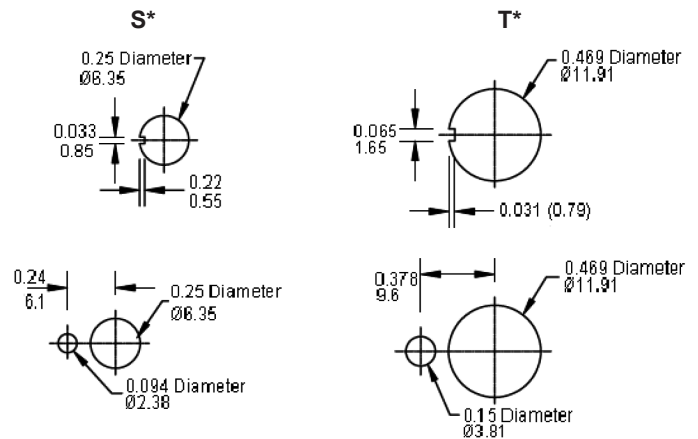
Lock Washer



Locking Ring



Panel Mounting



Dimensions : Inches (Millimetres)

Part Number Table

Description	Mapped with Diagram	Part Number
Toggle Switch	J*, M*, O*, Q*, S*, C*, G*	SPC21255
	J*, M*, O*, Q*, S*, C*, G*	SPC21516
	J*, M*, O*, Q*, S*, C*, G*	SPC21256
	J*, M*, O*, Q*, S*, C*, G*	SPC21257
	J*, M*, O*, Q*, S*, C*, G*	SPC21258
	K*, M*, O*, Q*, S*, C*, G*	SPC21259
	K*, M*, O*, Q*, S*, C*, G*	SPC21260
	K*, M*, O*, Q*, S*, C*, G*	SPC21261
	K*, M*, O*, Q*, S*, C*, G*	SPC21262
	K*, M*, O*, Q*, S*, C*, G*	SPC21263
	K*, M*, O*, Q*, S*, C*, G*	SPC21264
	K*, M*, O*, Q*, S*, C*, G*	SPC21265
	K*, M*, O*, Q*, S*, C*, G*	SPC21266
	K*, M*, O*, Q*, S*, C*, G*	SPC21267
	K*, M*, O*, Q*, S*, C*, G*	SPC21268
	J*, M*, O*, Q*, S*, E*, G*	SPC21269
	J*, M*, O*, Q*, S*, E*, G*	SPC21270
	J*, M*, O*, Q*, S*, E*, G*	SPC21271
	J*, M*, O*, Q*, S*, E*, G*	SPC21272
	J*, M*, O*, Q*, S*, E*, G*	SPC21273
	J*, L*, P*, R*, T*, N*, F*	SPC21274
	I*, J*, M*, Q*, S*, C*	SPC21410
	I*, J*, M*, Q*, S*, C*	SPC21411
	J*, L*, P*, R*, T*, N*, F*	SPC21275
	J*, L*, P*, R*, T*, N*, F*	SPC21276
	J*, L*, P*, R*, T*, N*, F*	SPC21277
	J*, L*, P*, R*, T*, N*, F*	SPC21278
	H*, K*, Q*, S*, D*	SPC21279
	H*, K*, Q*, S*, D*	SPC21280
	H*, K*, Q*, S*, D*	SPC21281
	H*, K*, Q*, S*, D*	SPC21282
	H*, K*, Q*, S*, D*	SPC21283

Important Notice : This data sheet and its contents (the "Information") belong to the members of the AVNET group of companies (the "Group") or are licensed to it. No licence is granted for the use of it other than for information purposes in connection with the products to which it relates. No licence of any intellectual property rights is granted. The Information is subject to change without notice and replaces all data sheets previously supplied. The Information supplied is believed to be accurate but the Group assumes no responsibility for its accuracy or completeness, any error in or omission from it or for any use made of it. Users of this data sheet should check for themselves the Information and the suitability of the products for their purpose and not make any assumptions based on information included or omitted. Liability for loss or damage resulting from any reliance on the Information or use of it (including liability resulting from negligence or where the Group was aware of the possibility of such loss or damage arising) is excluded. This will not operate to limit or restrict the Group's liability for death or personal injury resulting from its negligence. Multicomp Pro is the registered trademark of Premier Farnell Limited 2019.