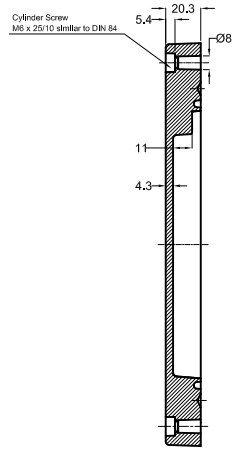
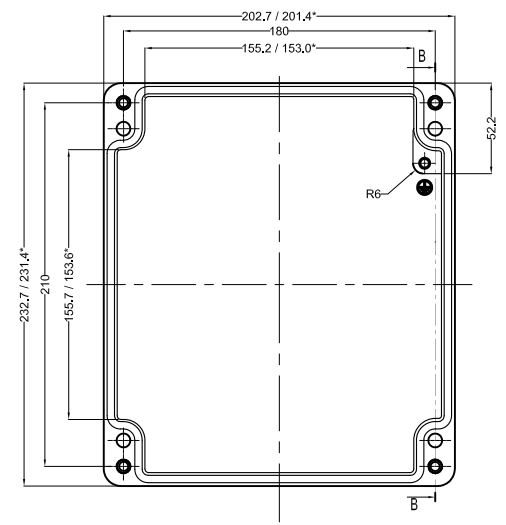
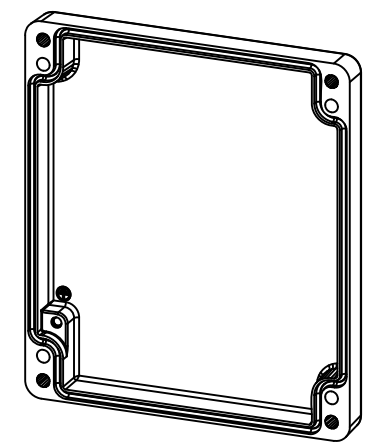


* = Conical form tapering downward.
 Untoleranced dimensions per GTA 13/5 DIN 1688

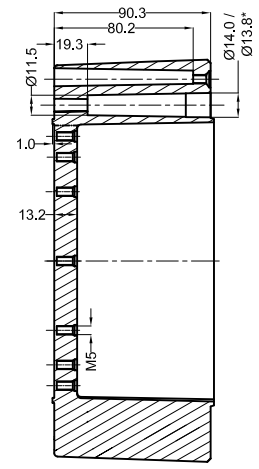
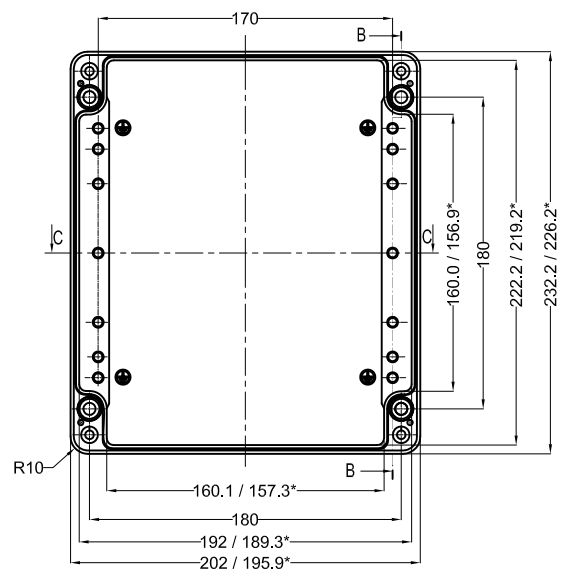
LID



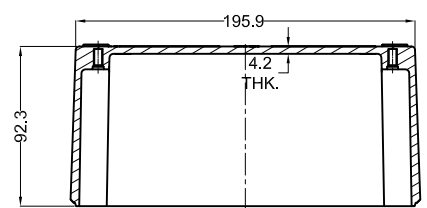
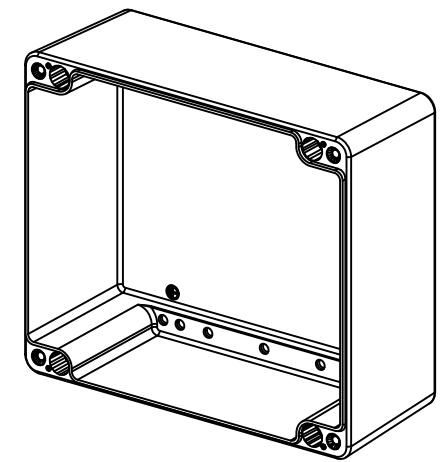
SECTION B-B



BASE



SECTION B-B



SECTION C-C



QUANTITY 1	MATERIAL :- ALs112 (Din230)	MACH.NAME -	DATE 13/06/12	SIGN MANOJ	NAME DRAWN
WEIGHT: -		TITLE :- JUNCTION BOX 230 x 200 x 110	DATE 13/06/12	SIGN PAVAN	CHECKED
FINISH: NATURAL			SCALE	SIGN S.D.	APPROVED
TOLERANCE ±0.2 DIMENSIONS ±0.2 HOLES ±1.0° ANGLES		ALL DIMENSION ARE IN MM			