

P/N 430/10



Fixed hose reel s. 430, for air-water, 20 bar, without hose. Inlet-outlet G 1/2" (f)

SECTORS OF USE

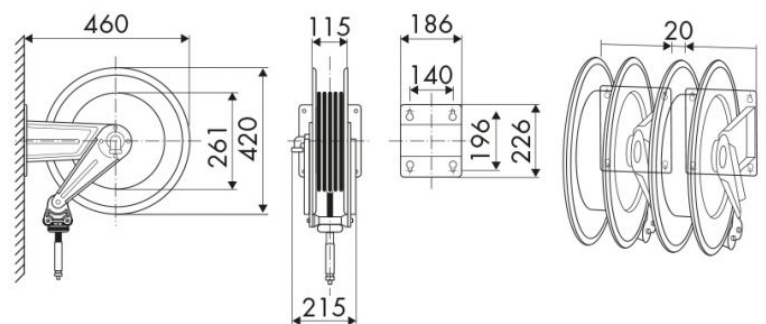
Agriculture, Automotive, Building and road construction, Industry, Lube trucks and transports

FEATURES

Pressure	20 bar
Compatible fluids	air - water
Swivel joint	brass
Seals	Viton®
Characteristic	fixed
Material	painted steel
Couplings	-
Hose	-
Ø e hose length	-
Inlet	G 1/2" (f)
Outlet	G 1/2" (f)
Reel flow path	brass - zinc plated steel



OVERALL DIMENSIONS (mm)



FURTHER FEATURES

Capacity 10 x 14,5	Capacity 13 x 19	Capacity 16 x 27	Capacity 5/16"	Capacity 3/8"	Capacity 1/2"
20 m	16 m	14 m	20 m	20 m	16 m