

**Datasheet**

# RS PRO SP21 In-Line Cable Mount Connector

RS Stock No: 131-6361



## Technical Specifications:

Product Type	Connector	Overmolded cable Assemblies
Coupling	Threaded Coupling	Threaded Coupling
Shell Material	Nylon66, Fire resistance: V-0	PC,PVC,Fire Resistance:V-0, Locking nut Material:Anodized Aluminum
Insert Material	PPS Max Temperature 260C Fire resistance: V-0	PPS Max Temperature 260C Fire resistance: V-0
Contact Material	Brass with Gold plating	Brass with Gold plating
Termination	SP13:Solder, SP17:Solder/Crimp,SP21:solder/screw/crimp	
Cable outer Diameter Range	SP13 I: 4-6.5mm, SP13 II: 5-8,mm SP17: 6-10mm SP21 I: 4.5-7mm SP21 II:7-12mm	
IP Rating	IP68	IP66
Mating Cycle	>500	>500
Temperature Range	-25C~+85C	-20C~+85C
Insulation Resistance	2000	2000

Number of contact	2	3	4	5	5B	5C	6	6B	7	8	9	12	15
Male contact face view													
Rated current (A)	30	30	30	30	30 5	15	25 5	30 5	15	10	5	5	5
Contact diameter (mm)	∅3X2	∅3X3	∅3X4	∅3X5	∅3X2 ∅1X3	∅2X5	∅2.5X4 ∅1X2	∅3X2 ∅1X4	∅2X7	∅1.5X10	∅1X9	∅1X12	∅1X15
Rated voltage (AC.V)	500	500	500	500	500	500	500	500	500	500	400	400	400
Test voltage(AC.V) 1 min	1500	1500	1500	1500	1500	1500	1500	1500	1500	1500	1500	1200	1200
Contact resistance (mΩ)	1	1	1	1	1 5	2.5	1 5	1 5	2.5	2.5	5	5	5
Termination	solder / screw	solder / screw	solder / screw	solder / screw	solder	solder	solder	solder	solder	solder	solder	solder	solder
Wire size for solder (mm <sup>2</sup> / AWG)	≤4/11	≤4/11	≤4/11	≤4/11	≤4/11 ≤0.75/18	≤2/14	≤4/11 ≤0.75/18	≤4/11 ≤0.75/18	≤2/14	≤2/14	≤0.75/18	≤0.75/18	≤0.75/18
Wire size for screw termination (mm <sup>2</sup> / AWG)	≤1.5/15	≤1.5/15	≤1.5/15	≤1.5/15	/	/	/	/	/	/	/	/	/

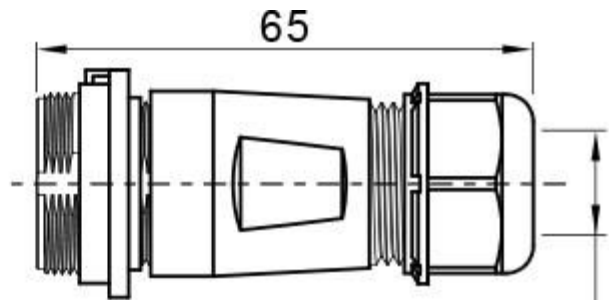
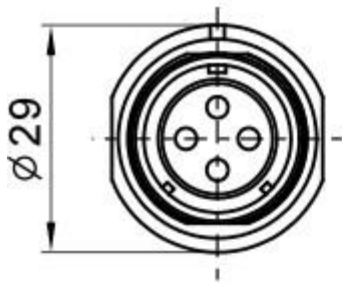
## Product Details

The RS PRO SP21 series is a range of lightweight but robust waterproof connectors, which are sealed to IP68. Threaded coupling ensures a secure connection, even in the harshest environments. Versions are available for in-line cable to cable and for cable to panel connections. Plugs and receptacles are available with either male pins or female sockets. These products are ideal for use in outdoor applications where a secure, waterproof connection is required.

## Features and Benefits

- Threaded Coupling
- IP68
- 2-15 Poles
- Cable to Cable and Cable to Panel Connections
- 90-degree Cable Mount Connectors Available

## Dimensional line drawings



Cable outer diameter range:  
7-12mm

## Quality Standards

