



EN



Datasheet

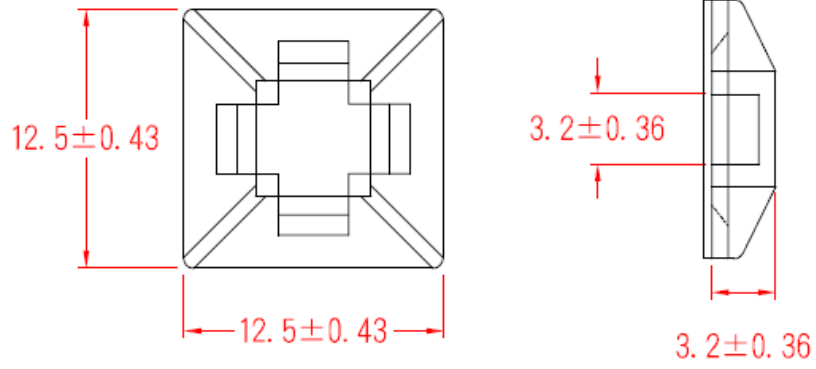
RS PRO Self-Adhesive Cable Tie Mount

Stock No. 666-751 204-0240 811-1723 204-0249 227-996 204-0243
811-1726 204-0241 204-0242 204-0245 204-0244 204-0247 629-2514
204-0248 730-0335 204-0250



SPECIFICATION

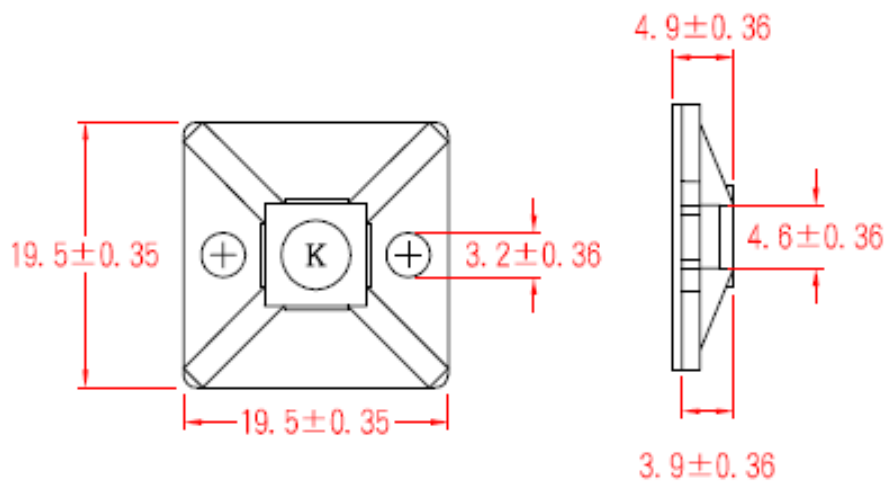
- Material: UL approved Nylon 66, 94V-2 with adhesive tape.
- Color: Natural and black
- SELF-ADHESIVE TIE MOUNTS is designed to support light weight wire bundles when properly applied on any clean, smooth, grease-free surface. For heavy support, mounting hole is provided for screws.
- To apply, simply peel off liner and apply mount to surface. After that, cable ties can be inserted to secure wire bundles.



Unit: mm

RS ITEM NO.	L	W	H	T	Color	Packing
204-0240	12.5	12.5	3.2	3.2	Natural	50PCS
204-0240						100PCS
811-1723					Black	50PCS
204-0249						100PCS

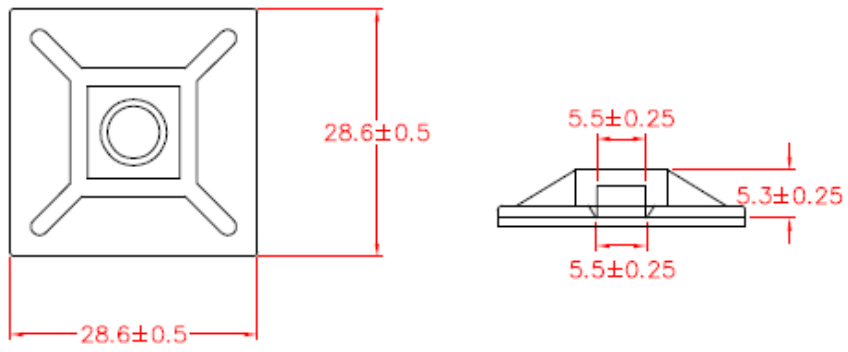
** 4pcs on a strip (Simply peel off backing paper)



Unit: mm

RS ITEM NO.	L	W	H	T	Color	Packing
227-996	19.5	19.5	3.9	4.6	Natural	50PCS
204-0243						100PCS
811-1726					Black	50PCS
204-0241						100PCS
204-0242						10PCS

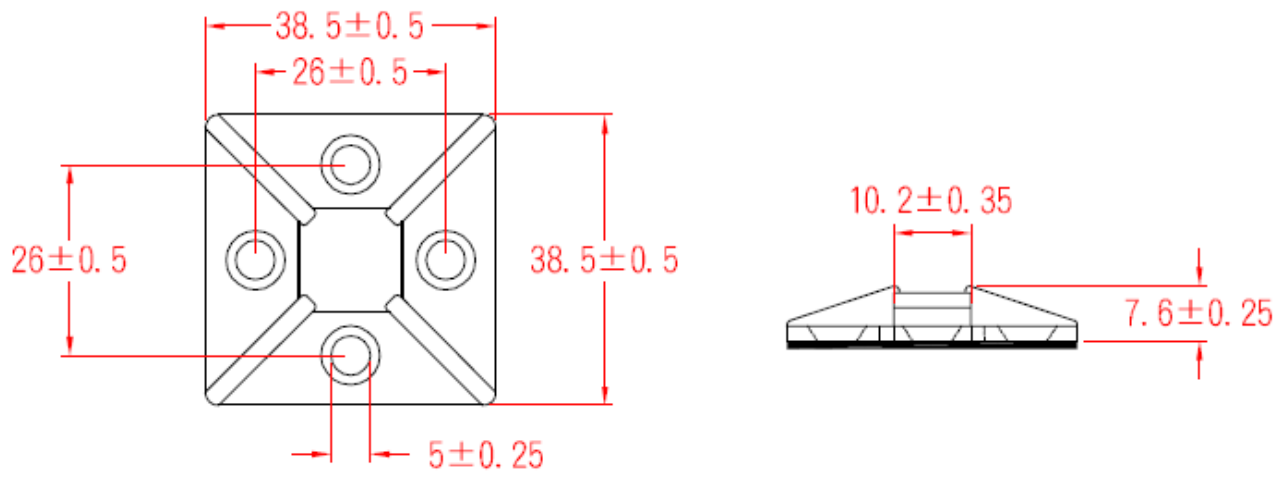
** 2pcs on a strip (Simply peel off backing paper)



Unit: mm

RS ITEM NO.	L	W	H	T	Color	Packing
204-0245	28.6	28.6	5.3	5.5	Black	10PCS
204-0244						100PCS
204-0247					Natural	100PCS

** 2pcs on a strip (Simply peel off backing paper)



Unit: mm

RS ITEM NO.	L	W	H	T	Color	Packing
629-2514	38.5	38.5	7.6	10.2	Natural	50PCS
204-0248					Natural	100PCS
730-0335					Black	100PCS
204-0250					Black	10PCS