

Single Stage Power Line Filters Chassis Mount

multicomp PRO

**RoHS
Compliant**



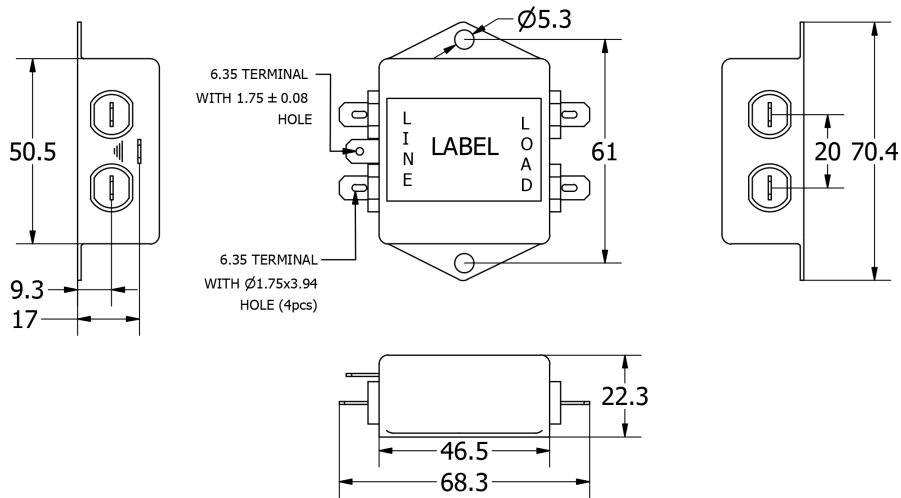
Quick Connect Terminals



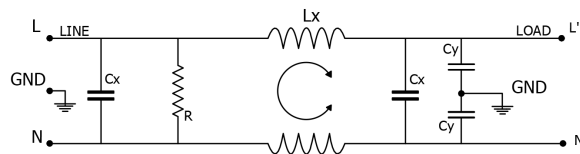
Stud Terminals

MP007481

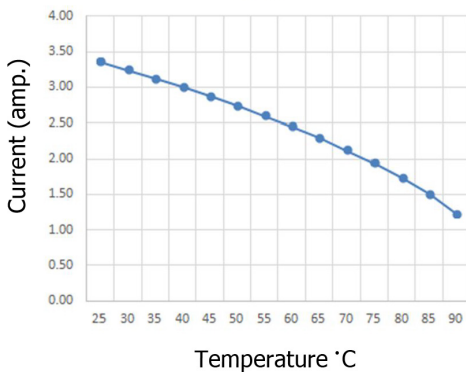
Mechanical Details



Electrical Schematic



Derating curve



50Ω to 50Ω Typical Insertion Loss

Frequency MHz	0.01	0.1	0.5	1	2	5	10
Common DB	20	41	44	41	39	44	41
Differential DB	1	26	62	67	63	70	40

Dimensions : Millimetres

Newark.com/multicomp-pro
Farnell.com/multicomp-pro
Element14.com/multicomp-pro

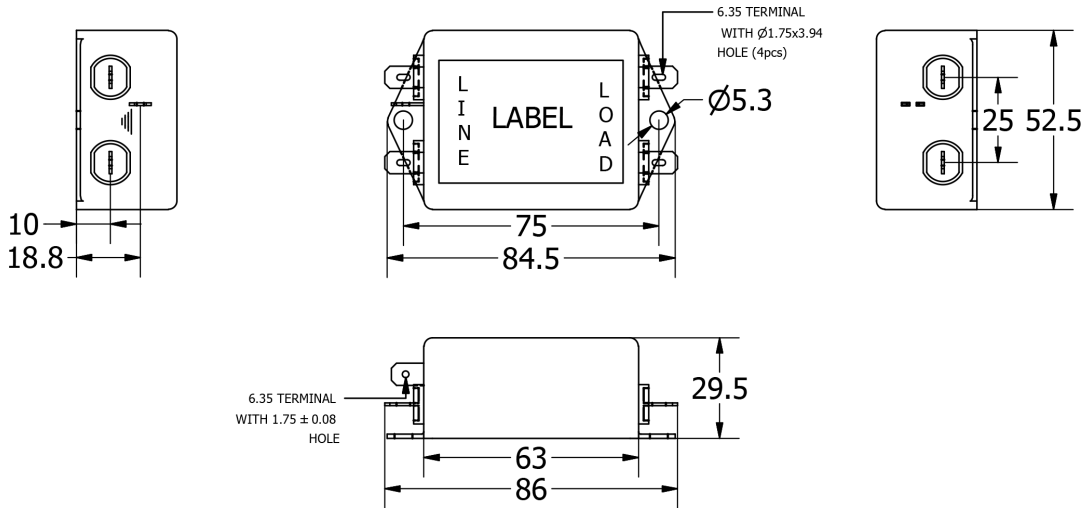
multicomp PRO

Single Stage Power Line Filters Chassis Mount

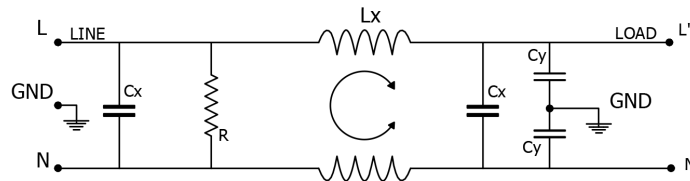
multicomp PRO

MP007482

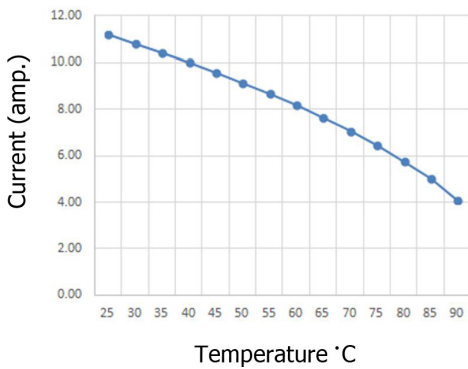
Mechanical Details



Electrical Schematic



Derating curve



50 Ω to 50 Ω Typical Insertion Loss

Frequency MHz	0.01	0.1	0.5	1	2	5	10
Common DB	15	34	41	48	52	44	25
Differential DB	25	62	86	71	59	41	28

Dimensions : Millimetres

Newark.com/multicomp-pro
Farnell.com/multicomp-pro
Element14.com/multicomp-pro

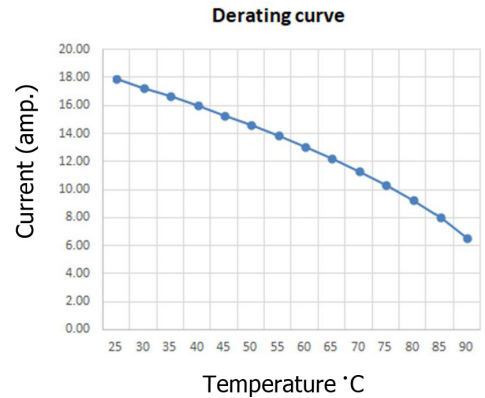
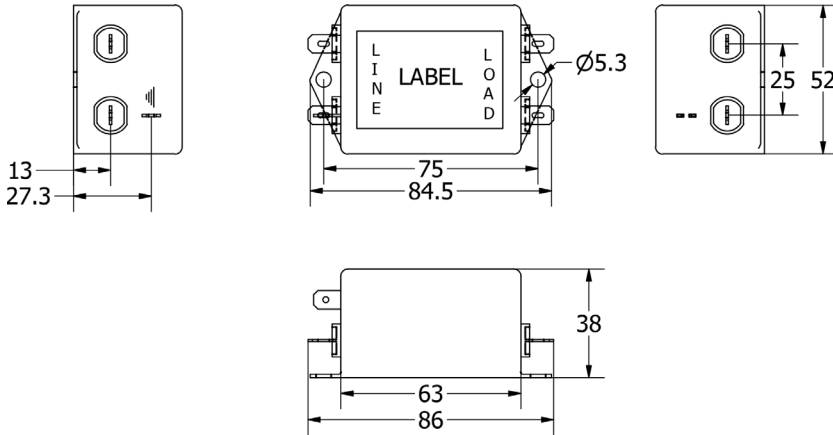
multicomp PRO

Single Stage Power Line Filters Chassis Mount

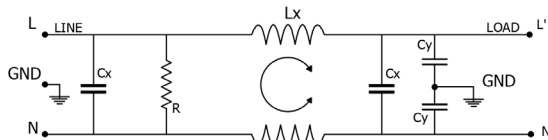
multicomp PRO

MP007483, MP007485

Mechanical Details

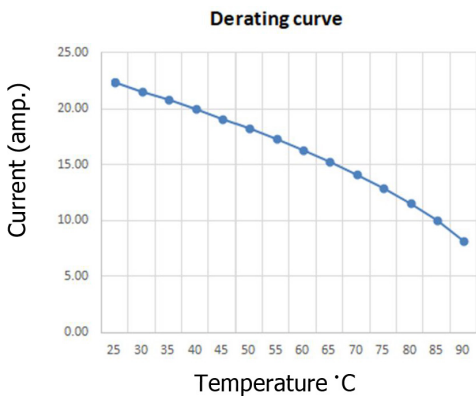


Electrical Schematic



Dimensions : Millimetres

MP007485



50Ω to 50Ω Typical Insertion Loss

Frequency MHz	0.01	0.1	0.5	1	2	5	10
Common DB	5	31	78	79	73	60	69
Differential DB	9	29	49	51	54	56	57

Newark.com/multicomp-pro
Farnell.com/multicomp-pro
Element14.com/multicomp-pro

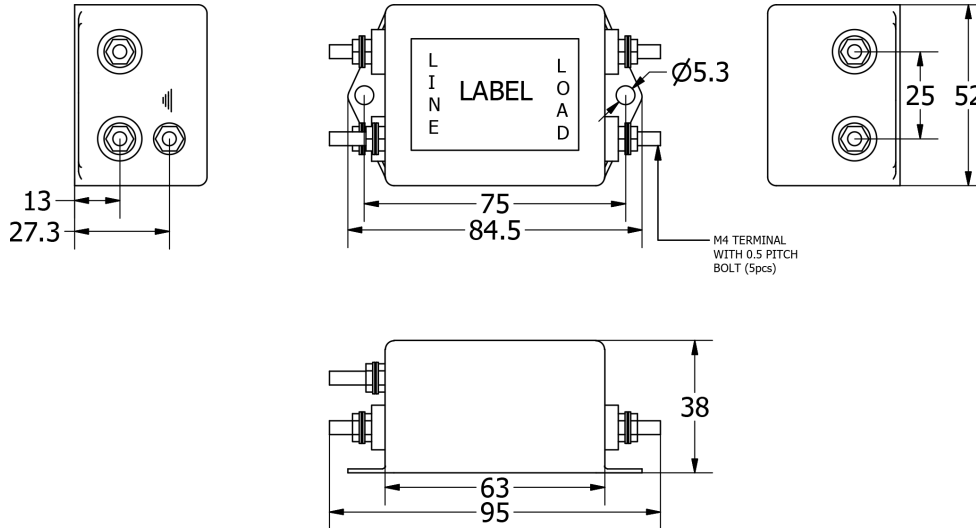
multicomp PRO

Single Stage Power Line Filters Chassis Mount

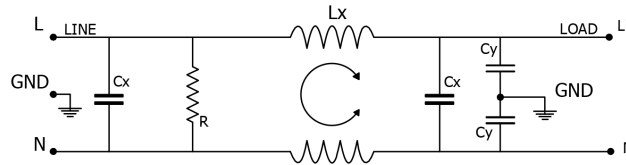
multicomp PRO

MP007486

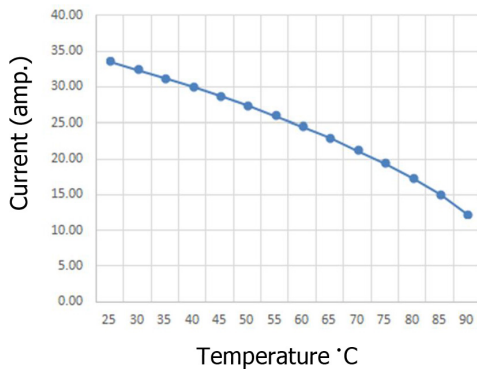
Mechanical Details



Electrical Schematic



Derating curve



Dimensions : Millimetres

50Ω to 50Ω Typical Insertion Loss

Frequency MHz	0.01	0.1	0.5	1	2	5	10
Common DB	5	31	78	79	73	60	69
Differential DB	9	29	49	51	54	56	57

Single Stage Power Line Filters Chassis Mount

multicomp PRO

Specification

	MP007481	MP007482	MP007483	MP007485	MP007486
Rated Voltage (MAX)	3 AMP, 120V AC to 250V AC 50HZ to 60HZ	10 AMP, 120V AC to 250V AC 50HZ to 60HZ	16 AMP, 120V AC to 250V AC 50HZ to 60HZ	20 AMP, 120V AC to 250V AC 50HZ to 60HZ	30 AMP, 120V AC to 250V AC 50HZ to 60HZ
Hi-pot Rating (One Minute)	Line to Ground: 3000V DC				
	Line to Line: 1100V DC				
Maximum Leakage Line to Ground	0.20mA @120V AC 60 Hz	0.30mA @120V AC 60 Hz		0.90mA @120V AC 60 Hz	
	0.35mA @250V AC 50 Hz	0.52mA @250V AC 50 Hz		1.57mA @250V AC 50 Hz	
Climate Class: 25/100/21	Temperature Range: -25°C to +100°C				
	Overload Current: 1.5x Rated ct. for 1 min.				

Part Number Table

Description	Part Number
Power Line Filter, High Performance, 250V AC, 3A, Single Phase, 1 Stage, Quick Connect	MP007481
Power Line Filter, High Performance, 250V AC, 10A, Single Phase, 1 Stage, Quick Connect	MP007482
Power Line Filter, High Performance, 250V AC, 16A, Single Phase, 1 Stage, Quick Connect	MP007483
Power Line Filter, High Performance, 250V AC, 20A, Single Phase, 1 Stage, Quick Connect	MP007485
Power Line Filter, High Performance, 250V AC, 30A, Single Phase, 1 Stage, Stud Terminals	MP007486

Important Notice : This data sheet and its contents (the "Information") belong to the members of the AVNET group of companies (the "Group") or are licensed to it. No licence is granted for the use of it other than for information purposes in connection with the products to which it relates. No licence of any intellectual property rights is granted. The Information is subject to change without notice and replaces all data sheets previously supplied. The Information supplied is believed to be accurate but the Group assumes no responsibility for its accuracy or completeness, any error in or omission from it or for any use made of it. Users of this data sheet should check for themselves the Information and the suitability of the products for their purpose and not make any assumptions based on information included or omitted. Liability for loss or damage resulting from any reliance on the Information or use of it (including liability resulting from negligence or where the Group was aware of the possibility of such loss or damage arising) is excluded. This will not operate to limit or restrict the Group's liability for death or personal injury resulting from its negligence. Multicomp Pro is the registered trademark of Premier Farnell Limited 2019.

Newark.com/multicomp-pro
Farnell.com/multicomp-pro
Element14.com/multicomp-pro

multicomp PRO