

FEATURES

- Operating temperature range is from - 15 °C to 150°C
- Fluid for food and chemical industry compatible
- Stainless steel body

RS PRO VALVE INOX M-F 1/4-1/4

RS Stock No.: 2312717



RS PROfessionally Approved Products bring to you professional quality parts across all product categories. Our product range has been tested by engineers and provides a comparable quality to the leading brands without paying a premium price.

Product Description

The RS PRO valve inox m-f 1/4-1/4 works in - 0.99 bar to 40 bar pressure range. It is made up of stainless steel. It has operating temperature range is from -15 °C to + 150 °C. Compatible working with Compressed air / Vacuum / Water / Oils. RoHS and REACH compliant.

General Specifications

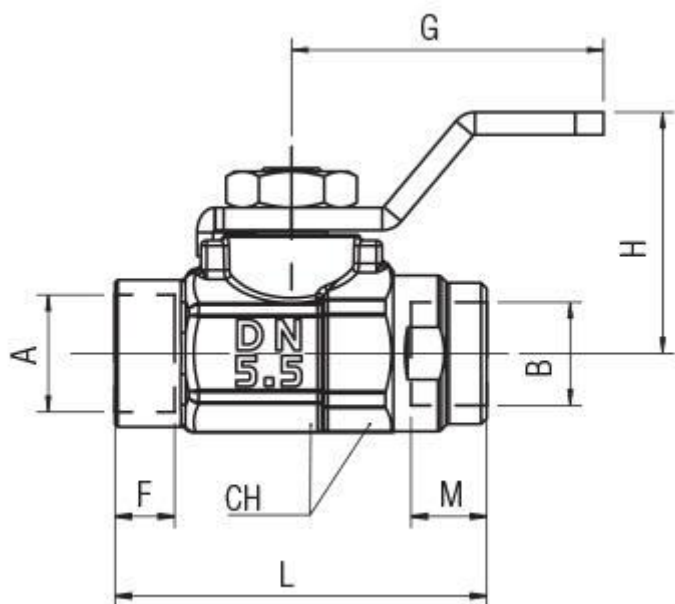
Type	Process Ball Valve
Handle Type	1/4 in Turn Valve
Applications	Heating systems; Water treatment; Liquid flow control

Mechanical Specifications

Attachment Type	1/4 in BSPP Female, 1/4 in BSPP Male
Compression Fitting Size	Ghinox
Threaded Connection	Stainless Steel
Thread Size	Ball Valve
Maximum Working Pressure	40 bar
Nominal Flow Diameter	5.5mm
Handle Length	28mm
Length	44.5mm
Wrench Size	16mm-17mm

Similar Products

Parameters	2312713	2312714
Brand	RS PRO	RS PRO
Type	Process Ball Valve	Process Ball Valve
Attachment Type	1/8 in BSP Female	1/4 in BSP Female
Threaded Connection	Stainless Steel	Stainless Steel
Thread Size	Ball Valve	Ball Valve



A	B	DN	CH	F	M	L	G	H	Pack.
1/4	1/4	5.5	16-17	12.5	12.5	44.5	28	21.5	2