



Datasheet

RS PRO Two-Part Enclosures

Stock number: 1920767

EN

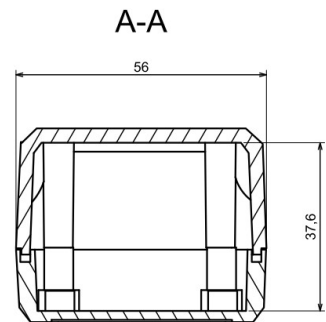
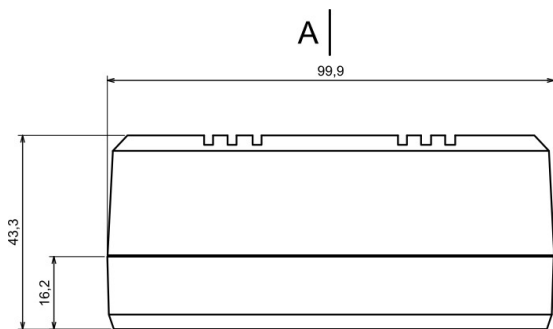


Product Details

Two-part enclosure is made of black ABS. The enclosure provides IP54 and IK07 rating it is ideal for applications that doesn't require hermetic seal.

Features and Benefits

- Made of ABS
- Available in black color
- Protection against liquids and solid objects: IP54 rating
- Shock protection level: IK07 rating
- Supplied with four screws for assembly

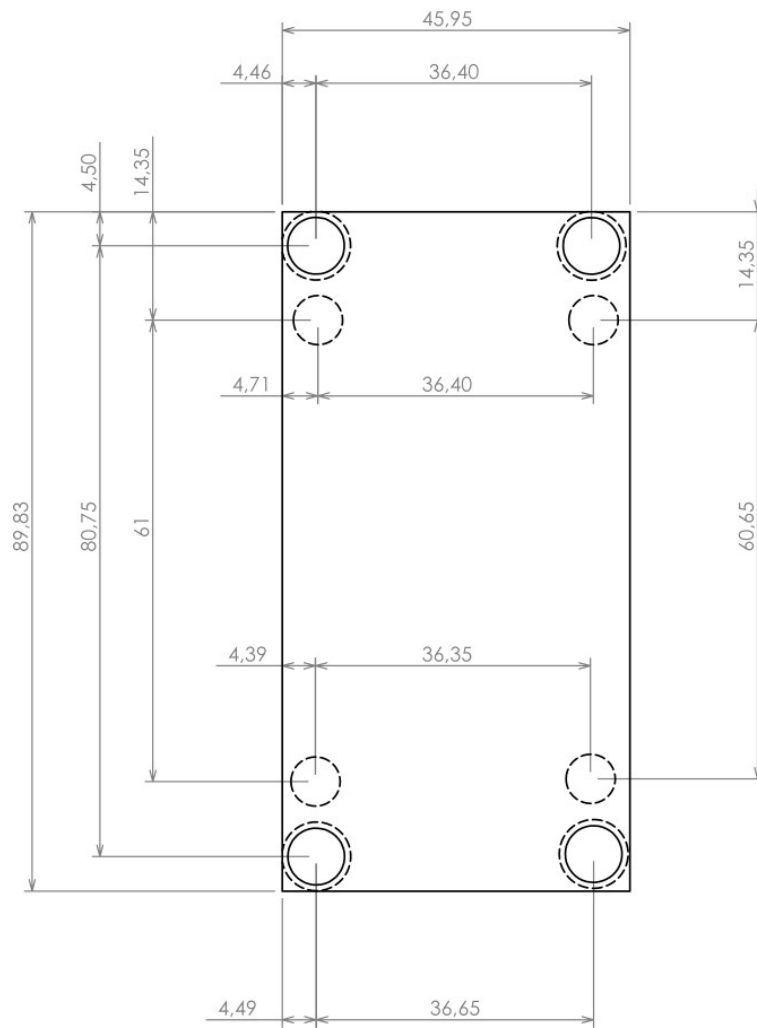


A |

Category	Two-part enclosures
Type	Full
Material	ABS
Variant	Without gasket
Height	43.3 mm
Width	56.1 mm
Length	99.8 mm
Color	Black
Protection level	IP54
Shock protection level	IK07
Standards Met	RoHS Compliant
Accessories	Screw 3/25: 4.0 pcs
Certificate number	CE/031/18



Max PCB size



Dashed line shows outline of the mounting boss under PCB board
Recommended mounting holes diameter $\varnothing 3,5\text{mm}$
All dimensions are given within $\pm 0,5\text{mm}$ tolerance