



ENGLISH

Datasheet

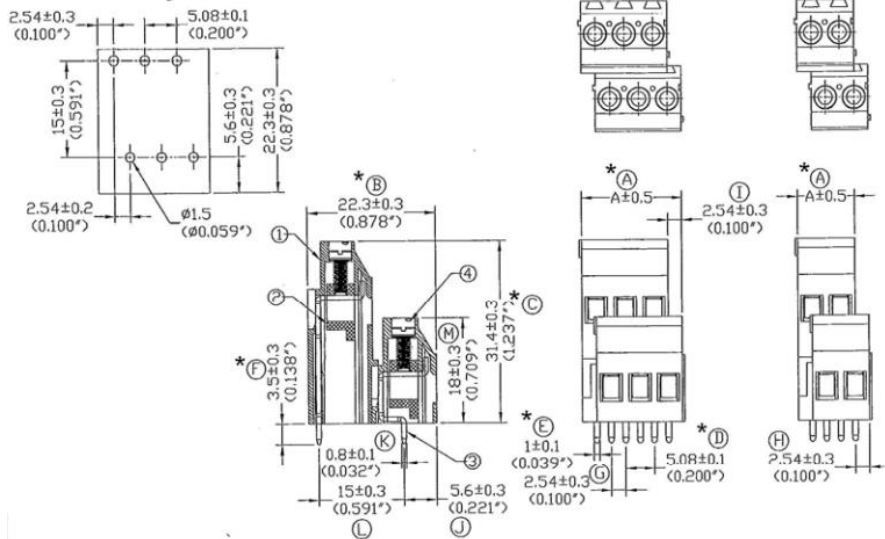
2 way 2 stack terminal block 5.08mm

RS Stock 790-1196



Dimensions: (mm)

PCB Layout



Specification

- Current Rating: 16Amp AC300V
- Insulation Withstands Volts: AC2000V Min
- Insulation Resistance: >2000M Ω DC500V
- Operation Temperature: -40°C to + 105°C
- Wire Strip Length: 7mm
- Wire Range: 12~24 AWG
- Screw Torque: 5.0lb-inch

Material

- Insulating Body: Polyamide 66(UL94V-0)
- Screw: Steel / Finish: NI Plated
- Terminal: Brass/ Tin Plated
- Cage Clamp: Brass / Finished: NI Plated
- RoHS Compliant