



Datasheet

RS PRO Two-Part Enclosures

Stock number: 2006709

EN



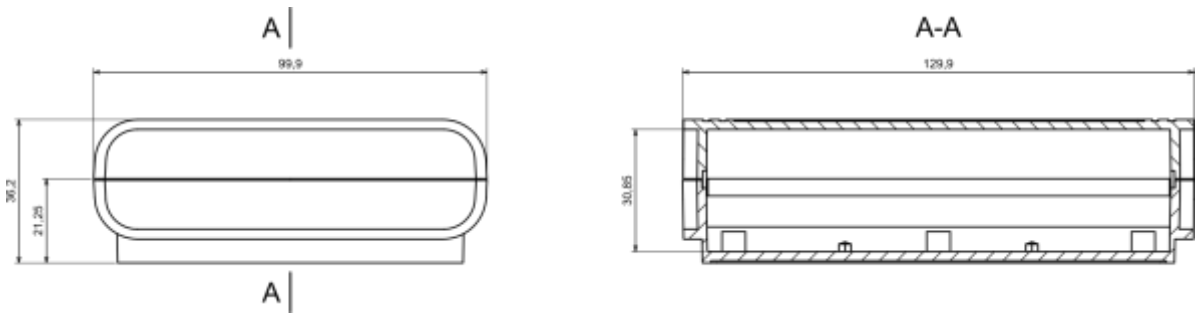
Product Details

Two-part enclosure is made of light gray ABS. It is elegantly designed enclosure that does not require screws to assemble it is ideal for applications that doesn't require hermetic seal.

Features and Benefits

- Made of ABS
- Available in light gray color
- Shock protection level : IK02 rating
- Does not require screws to assemble

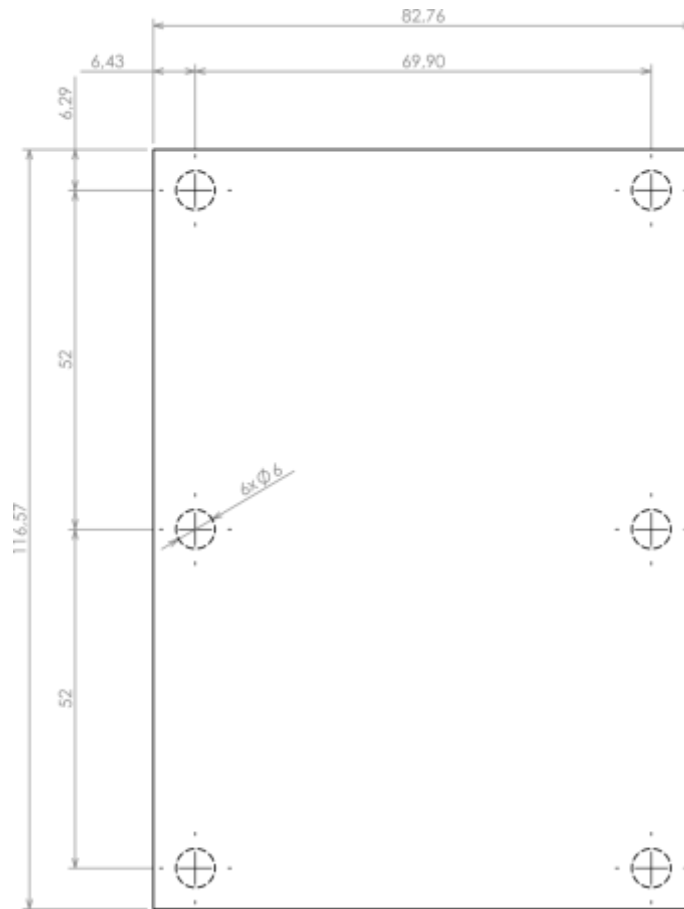
rspro.com



Category	Special Enclosure with display space
Type	Full
Material	ABS
Option	Without gasket
Height	36.2 mm
Width	99.9 mm
Length	129.9 mm
Colour	Lightgray (J)
Standards Met	RoHS Compliant
Shock protection level	IK02
Certificate number	CE/024/18



Max PCB size



Dashed line shows outline of the mounting boss under PCB board
Recommended mounting holes diameter $\varnothing 3,5\text{mm}$