



ENGLISH

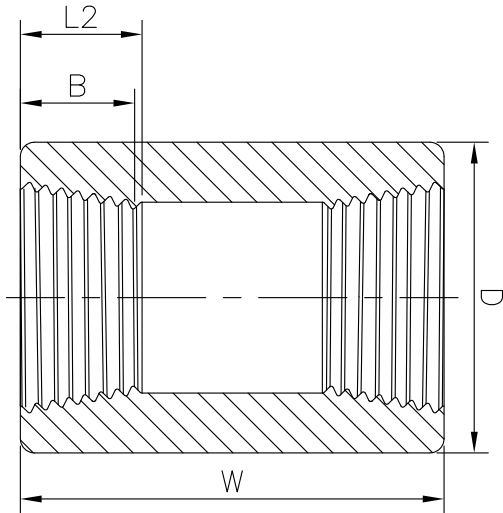
Product Datasheet

High Pressure Fitting



Threaded Coupling

ASME B16.11



3000 LB										
RS Code	Size		W		D		Length of Thread(Min)			
	DN	NPS	mm	in	mm	in	B		L2	
							mm	in	mm	in
826-6992	8	1/4"	35	1.38	19	0.75	8.1	0.32	10.2	0.4
826-6996	10	3/8"	38	1.5	22	0.87	9.1	0.36	10.4	0.41
826-7009	15	1/2"	48	1.89	28	1.1	10.9	0.43	13.6	0.54
826-7002	20	3/4"	51	2.01	35	1.38	12.7	0.5	13.9	0.55
826-7006	25	1"	60	2.36	44	1.73	14.7	0.58	17.3	0.68
826-7015	32	1-1/4"	67	2.64	57	2.24	17	0.67	18	0.71
826-7018	40	1-1/2"	79	3.11	64	2.52	17.8	0.7	18.4	0.72
826-7012	50	2"	86	3.39	76	2.99	19	0.75	19.2	0.76