

Graphic Adapters

HDMI to VGA

multicomp PRO



**RoHS
Compliant**

Features

- This HDMI A male to VGA Adapter has many features that enable it to perform in a superior manner. Among those features you will find:
- Easy to use: Install in seconds, no need of setting.
- Conversion: It can convert complete HDMI into VGA video.
- Supports 165MHz/1.65Gbps per channel (6.75Gbps all channel) bandwidth for HDMI Input.
- Supports Analogue Video up to UXGA and 1080p with 10-bit DAC.

What are the benefits of using Active adapters and converters?

Active products can have a huge advantage when working with long cable runs and video conversion applications. In terms of video converters, active units generally have hardware inside to improve your image.

Specifications

Product type	HDMI-VGA Adapter
Colour	Black
Length	0.15m
Max. resolution	1920 × 1080 / 1920 × 1200 @60Hz (2K, Full HD)
Side 1 connection (PC)	HDMI Male
Side 2 connection (Peripherals)	VGA Female
Side 1 Connector Type	HDMI Type A
Side 1 Connector Gender	Male
Side 2 Connector Type	HD D-Sub 15-pin (HD-15), VGA
Side 2 Connector Gender	Female
Active / Passive	Active
Conversion direction	HDMI-VGA
Area of application	External
Dimensions (HxWxD)	14mm × 44mm × 44mm
Height	14mm
Width	44mm
Depth	44mm
Weight	36.9g
Height of packaging (single piece)	10mm
Width of packaging (single piece)	150mm
Depth of packaging (single piece)	100mm
Package weight (single piece)	0.06kg

Newark.com/multicomp-pro
Farnell.com/multicomp-pro
sg.element14.com/b/multicomp-pro

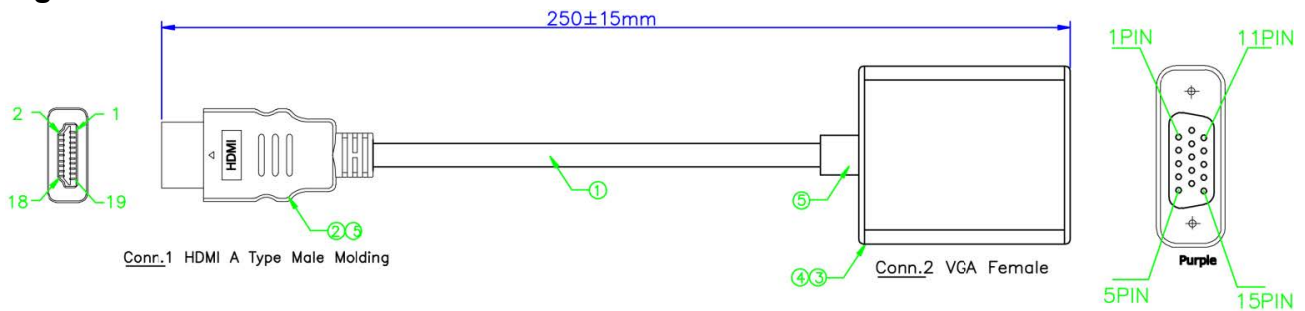
multicomp PRO

Graphic Adapters

HDMI to VGA

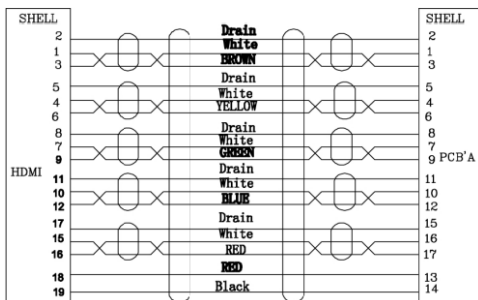
multicomp PRO

Diagram



Dimensions : Millimetres

PIN Assignment



No	Specification Description	Q'ty	Unit
1	UL20276 [32AWG(7/0.08TC) × 1P+D.W+AL+Mylar) × 5+32AWG(7/0.08TC) × 5 C+AL/MY+D. W+BD+Jacket PVC Colour: Black OD: 5.0 ±0.2mm	0.2	m
2	HDMI A Type Male, Shell Nickel Plated, Insulation Black	1	set
3	HDMI to VGA Converter With VGA Female, PCB+SMT VGA Pin Gold Plated	1	set
4	Plastic Hood for VGA, Material: ABS, Colour: Black	1	set
5	S.R. Molding 45P PVC, Colour: Black	20	g

Part Number Table

Description	Part Number
Graphic Adapter, HDMI Male to VGA Female, Black, 0.25m	MP010451

Important Notice : This data sheet and its contents (the "Information") belong to the members of the AVNET group of companies (the "Group") or are licensed to it. No licence is granted for the use of it other than for information purposes in connection with the products to which it relates. No licence of any intellectual property rights is granted. The Information is subject to change without notice and replaces all data sheets previously supplied. The Information supplied is believed to be accurate but the Group assumes no responsibility for its accuracy or completeness, any error in or omission from it or for any use made of it. Users of this data sheet should check for themselves the Information and the suitability of the products for their purpose and not make any assumptions based on information included or omitted. Liability for loss or damage resulting from any reliance on the Information or use of it (including liability resulting from negligence or where the Group was aware of the possibility of such loss or damage arising) is excluded. This will not operate to limit or restrict the Group's liability for death or personal injury resulting from its negligence. Multicomp Pro is the registered trademark of Premier Farnell Limited 2019.

Newark.com/multicomp-pro
 Farnell.com/multicomp-pro
 sg.element14.com/b/multicomp-pro

multicomp PRO