

Enclosed Switch Disconnecter Boxed Isolator

multicomp PRO



Approvals	CB, CE & SEMKO
UL Standard	UL508
International / European Standard	IEC & EN 60947-1 and 3

Switch Specifications

Data	Range	Switch Codes			Units	
		LB204P	LB254P	LB323P LB324P		
Rated operational voltage Ue						
IEC & EN	Volts	690	690	690	V	
UL	Volts	600	600	600	V	
Main switch: Isolating voltage up to	Volts	750	750	750	V	
Rated impulse withstand voltage Uimp	Volts	6	6	6	kV	
Rated uninterrupted current Iu	Amps	16	20	25	A	
Rated operational current Ie						
IEC & EN	AC-22A	Up to 690V	16	20	25	A
	AC-21A	Up to 690V	20	25	32	A
	AC-1	Up to 690V	20	25	32	A
Rated operational power AC-23A (50-60Hz)						
IEC & EN	3 Phase	220 - 240V	7.5	7.5	11	kW
		380 - 440V	11	11	15	kW
		500 - 690V	15	15	22	kW
Rated operational power AC-3 (50-60Hz)						
IEC & EN	3 Phase	220 - 240V	4	5.5	7.5	kW
		440V	5.5	7.5	11	kW
		690V	11	11	15	kW
UL Power Rating						
DOL	3 Phase	120V	1.5	1.5	3	hp
		240V	3	3	7.5	hp
		480V	7.5	7.5	15	hp
		600V	10	10	20	hp
	1 Phase	120V	0.5	0.5	1.5	hp
		240V	1.5	1.5	2	hp

Newark.com/multicomp-pro
Farnell.com/multicomp-pro
sg.element14.com/b/multicomp-pro

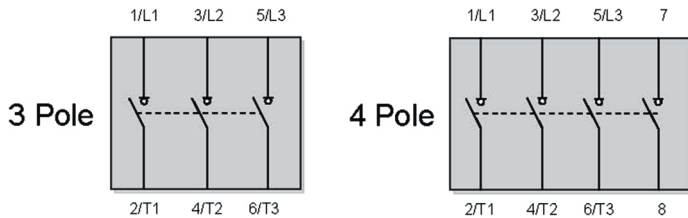
multicomp PRO

Enclosed Switch Disconnecter Boxed Isolator

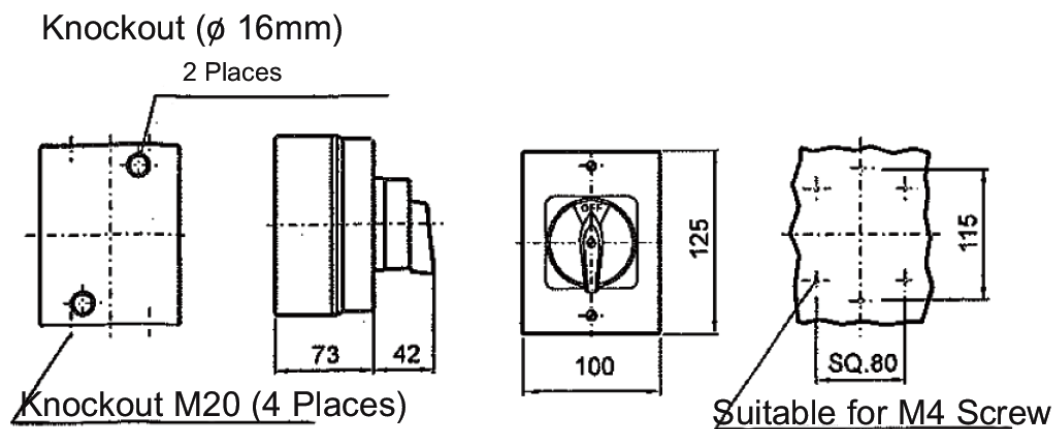
multicomp PRO

Data	Range	Switch Codes			Units
		LB204P	LB254P	LB323P LB324P	
UL Short Circuit Ratings					
Fuse rating, class J	Amps	-	-	45	A
Fuse rating, class RK5	Amps	20	20	-	A
Rated Fused short circuit current	Amps	10	10	10	kA
Short Circuit Capacity (IEC)					
Max fuse size (Type gI)	Amps	20	20	32	A
Rated Fused short circuit current	Amps	5	5	30	kA
Terminal Specification					
Single/ Multiple strand wire		2.5	2.5	2.5	Min-mm ²
		10	10	10	Max-mm ²
Fine strand with sleeve		0.75	0.75	0.75	Min-mm ²
		6	6	6	Max-mm ²
American wire gauge		10	10	10	AWG
Recommended Tightening Torque		1.7	1.7	1.7	Nm

Terminal Configuration



Mounting Details



Dimensions : Millimetres

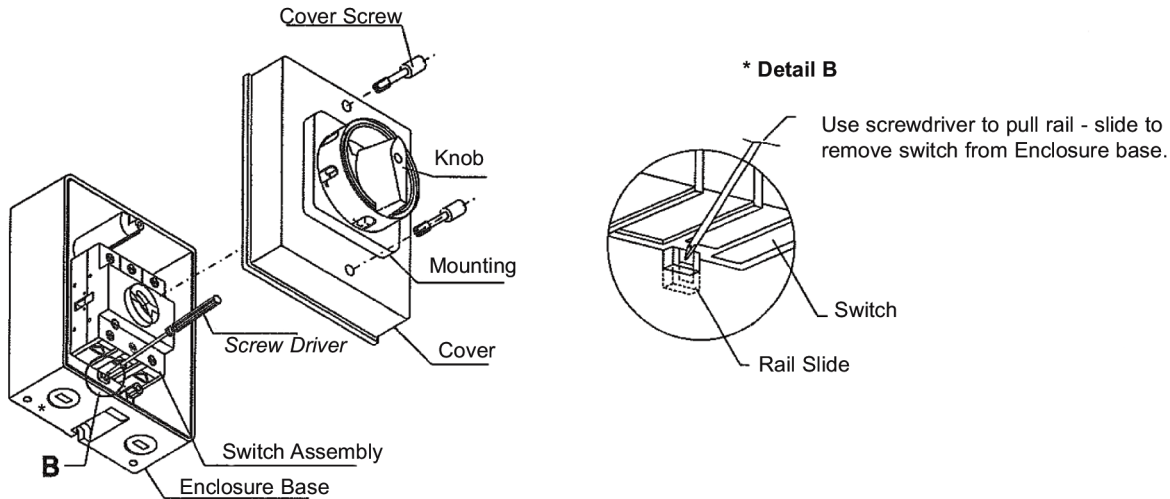
Newark.com/multicomp-pro
Farnell.com/multicomp-pro
sg.element14.com/b/multicomp-pro

multicomp PRO

Enclosed Switch Disconnecter Boxed Isolator

multicomp PRO

Switch Assemble Diagram



Procedure to dismantle the cover

- Ensure the switch is in the OFF position
- Unscrew the cover screws & remove the cover
- For easy wiring the switch can be removed from the base & then clicked back into place once wiring is complete
- After wiring ensure the profile orientation of the actuating spindle & knob shaft are in the same position
- Replace the cover & take care not to overtighten the screws (recommended tightening torque 0.5Nm)
- Do not install using power driven screwdrivers

Note: There is no need to remove the switch handle in order to remove the cover.

Part Number Table

Description	Part Number
Enclosed Switch Disconnecter, Boxed Isolator, 4 Pole, 20A	LB204P
Enclosed Switch Disconnecter, Boxed Isolator, 4 Pole, 25A	LB254P
Enclosed Switch Disconnecter, Boxed Isolator, 3 Pole, 32A	LB323P
Enclosed Switch Disconnecter, Boxed Isolator, 4 Pole, 32A	LB324P

Important Notice : This data sheet and its contents (the "Information") belong to the members of the AVNET group of companies (the "Group") or are licensed to it. No licence is granted for the use of it other than for information purposes in connection with the products to which it relates. No licence of any intellectual property rights is granted. The Information is subject to change without notice and replaces all data sheets previously supplied. The Information supplied is believed to be accurate but the Group assumes no responsibility for its accuracy or completeness, any error in or omission from it or for any use made of it. Users of this data sheet should check for themselves the Information and the suitability of the products for their purpose and not make any assumptions based on information included or omitted. Liability for loss or damage resulting from any reliance on the Information or use of it (including liability resulting from negligence or where the Group was aware of the possibility of such loss or damage arising) is excluded. This will not operate to limit or restrict the Group's liability for death or personal injury resulting from its negligence. Multicomp Pro is the registered trademark of Premier Farnell Limited 2019.

Newark.com/multicomp-pro
Farnell.com/multicomp-pro
sg.element14.com/b/multicomp-pro

multicomp PRO