

Shrouded Pin Headers, Crimp Housings and Terminals

multicomp PRO

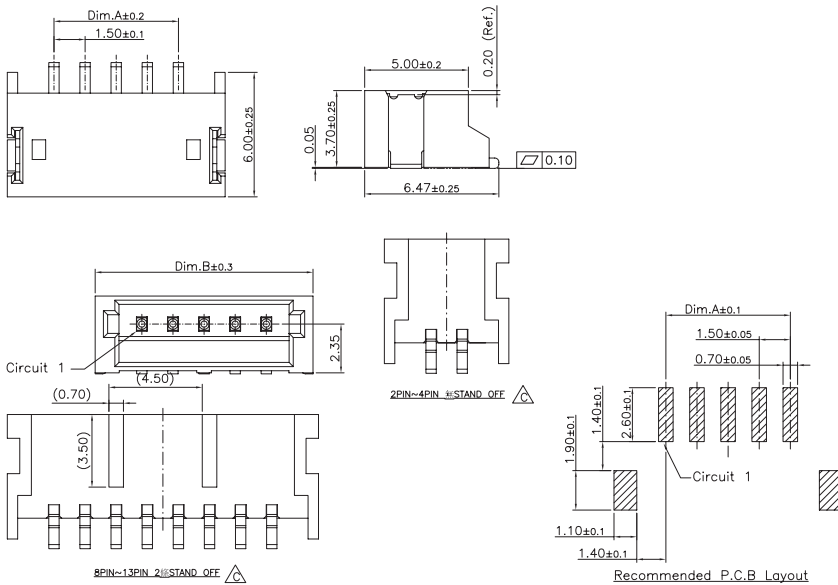
Pin Header 1.5mm Pitch Single Row SMD Right Angle

**RoHS
Compliant**



Features

Current Rating	: 1A AC/DC
Voltage Rating	: 50V AC/DC
Contact Resistance	: 20mΩ. Max.
Insulation Resistance	: 500MΩ. Min.
Withstanding Voltage	: 500V AC/minute
Operating Temperature Range	: -25°C +85°C
Material and Finish:	
Insulator	: High Temp. Plastic (Nylon 6T UL94V-0)
Insulator Colour	: Ivory
Contact	: Brass
Plating	: Motte Tin Plotted
Packing	: 1,000pcs/Reel



Part Number	Positions	Dimensions	
		DIM.A	DIM.B
MP003079	2	1.5	6
MP003080	3	3	7.5
MP003081	4	4.5	9
MP003082	5	6	10.5
MP003083	6	7.5	12
MP003084	7	9	13.5
MP003085	8	10.5	15
MP003086	9	12	16.5
MP003087	10	13.5	18

Newark.com/multicomp-pro
Farnell.com/multicomp-pro
Element14.com/multicomp-pro

multicomp PRO

Shrouded Pin Headers, Crimp Housings and Terminals

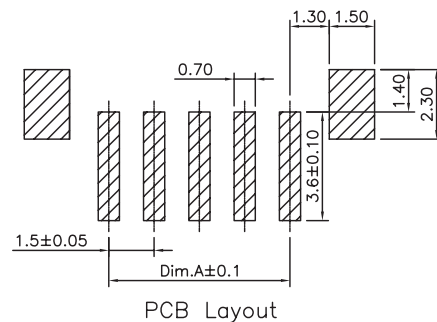
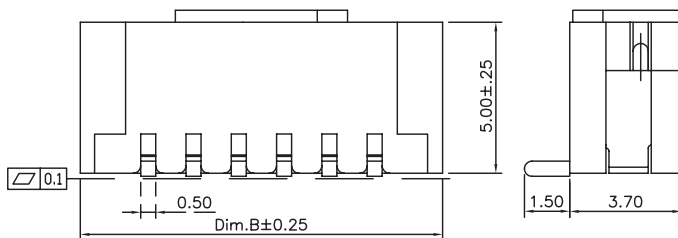
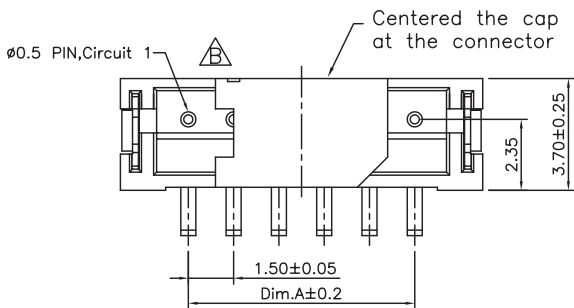


Pin Header 1.5mm Pitch Single Row SMD Straight



Features

Current Rating	: 1A AC/DC
Voltage Rating	: 50V AC/DC
Contact Resistance	: 40mΩ. Max.
Insulation Resistance	: 500MΩ. Min.
Withstanding Voltage	: 500V AC/minute
Operating Temperature Range	: -25°C +85°C
Material and Finish:	
Insulator	: High Temp. Plastic (Nylon 6T UL94V-0)
Insulator Colour	: Ivory
Contact	: Copper Alloy
Plating	: Matte Tin Platted



Part Number	Circuits	Dimensions	
		DIM.A	DIM.B
MP003088	2	1.5	6
MP003089	3	3	7.5
MP003090	4	4.5	9
MP003091	5	6	10.5
MP003092	6	7.5	12
MP003093	7	9	13.5
MP003094	8	10.5	15
MP003095	9	12	16.5
MP003096	10	13.5	18

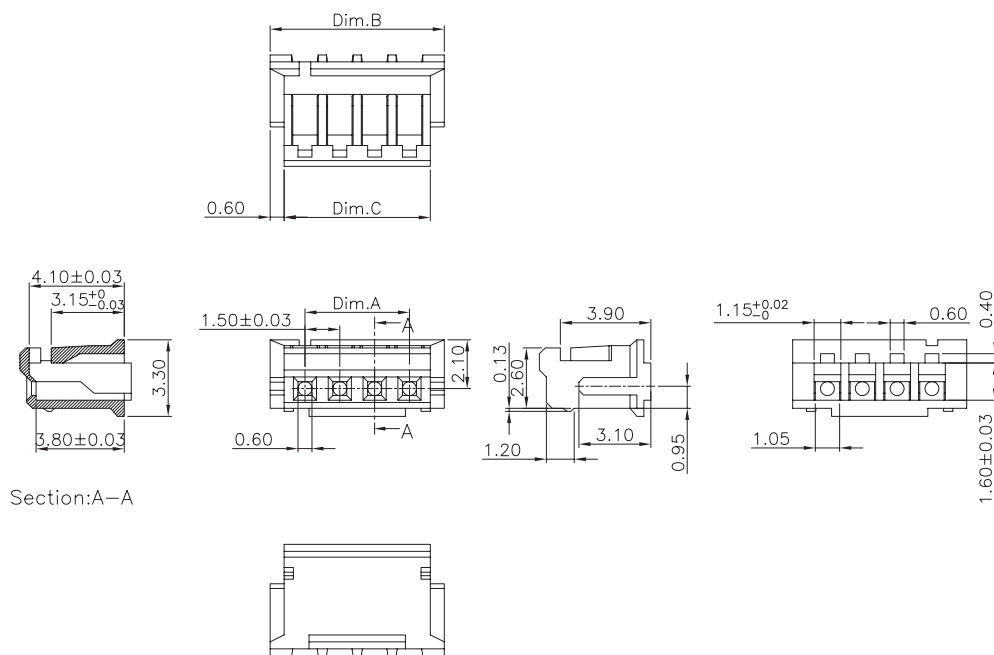
Newark.com/multicomp-pro
 Farnell.com/multicomp-pro
 Element14.com/multicomp-pro



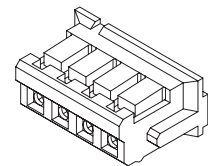
Shrouded Pin Headers, Crimp Housings and Terminals

multicomp PRO

Crimp Housings 1.5mm Pitch Single Row



Section:A-A



Note:
Material:Nylon66 (UL94V-0)
Color:White

Part Number	Circuits	Dimensions		
		DIM.A	DIM.B	DIM.C
MP003097	2	1.5	4.5	3.3
MP003098	3	3	6	4.8
MP003099	4	4.5	7.5	6.3
MP003100	5	6	9	7.8
MP003101	6	7.5	10.5	9.3
MP003102	7	9	12	10.8
MP003103	8	10.5	13.5	12.3
MP003104	9	12	15	13.8
MP003105	10	13.5	16.5	15.3

Newark.com/multicomp-pro
Farnell.com/multicomp-pro
Element14.com/multicomp-pro

multicomp PRO

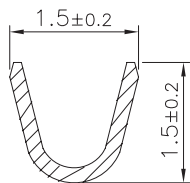
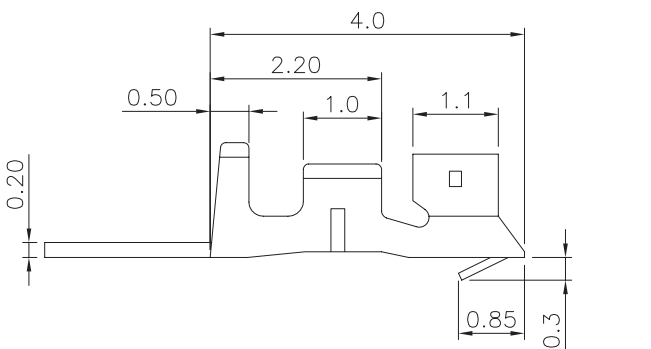
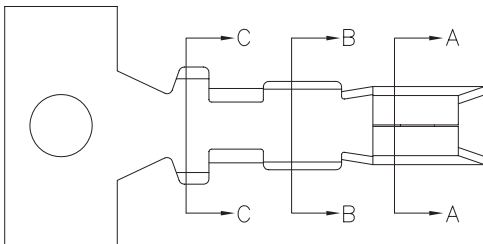
Shrouded Pin Headers, Crimp Housings and Terminals

multicomp PRO

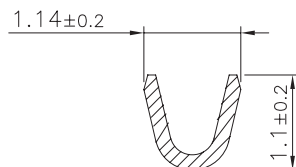
Crimp Terminal for 1.5mm Pitch Single Row Crimp Housings

Features

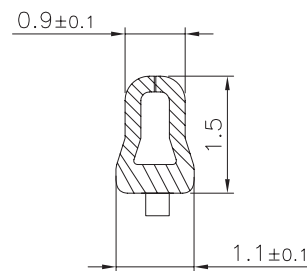
Current Rating	: 0.7A AC/DC
Voltage Rating	: 50V AC/DC
Contact Resistance	: 40mΩ. Max.
Insulation Resistance	: 500MΩ. Min.
Withstanding Voltage	: 500V AC/minute
Operating Temperature Range	: -25°C +85°C
Material and Finish:	
Contact	: Phosphor Bronze
Plating	: Tin Plated



Sections:C-C



Sections:B-B



Sections:A-A

multicomp PRO

Shrouded Pin Headers, Crimp Housings and Terminals

multicomp PRO

No. of Positions	Right Angle Pin Header Part Number	Vertical Pin Header Part Number	Crimp Plug Housing Part Number	Crimp Terminal for Housings
2	MP003079	MP003088	MP003097	MP003106
3	MP003080	MP003089	MP003098	
4	MP003081	MP003090	MP003099	
5	MP003082	MP003091	MP003100	
6	MP003083	MP003092	MP003101	
7	MP003084	MP003093	MP003102	
8	MP003085	MP003094	MP003103	
9	MP003086	MP003095	MP003104	
10	MP003087	MP003096	MP003105	

Important Notice : This data sheet and its contents (the "Information") belong to the members of the AVNET group of companies (the "Group") or are licensed to it. No licence is granted for the use of it other than for information purposes in connection with the products to which it relates. No licence of any intellectual property rights is granted. The Information is subject to change without notice and replaces all data sheets previously supplied. The Information supplied is believed to be accurate but the Group assumes no responsibility for its accuracy or completeness, any error in or omission from it or for any use made of it. Users of this data sheet should check for themselves the Information and the suitability of the products for their purpose and not make any assumptions based on information included or omitted. Liability for loss or damage resulting from any reliance on the Information or use of it (including liability resulting from negligence or where the Group was aware of the possibility of such loss or damage arising) is excluded. This will not operate to limit or restrict the Group's liability for death or personal injury resulting from its negligence. Multicomp Pro is the registered trademark of Premier Farnell Limited 2019.

Newark.com/multicomp-pro
Farnell.com/multicomp-pro
Element14.com/multicomp-pro

multicomp PRO