



Datasheet

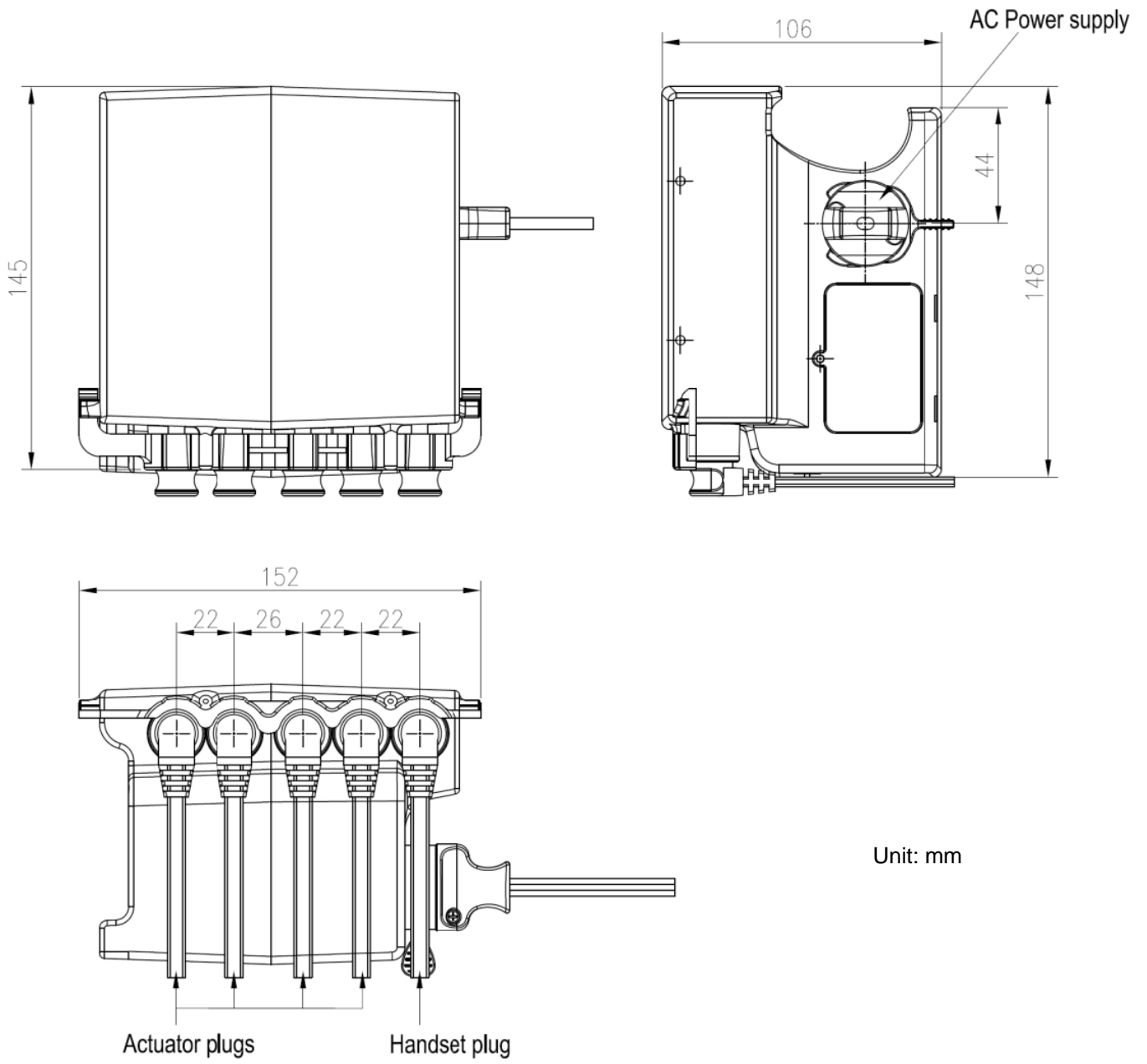
RS PRO

Stock number: 1774526

EN



- ◆ The MD7C with its compact design, can be attached to the MD7 actuator as an integrated set.
- ◆ Input voltage : 230V AC
- ◆ Output voltage : 24V DC
- ◆ Overload protection current : 3A (each actuator independently)
- ◆ Max. number of actuators this control box can drive : 1
- ◆ Max. number of handsets : 1
- ◆ Duty cycle : 10% or 2 min continuous operation in 20 min.
- ◆ IP protection level : IPX4
- ◆ Protection class : Class I
- ◆ Emergency Lowering Function w/ 9V DC Battery x 2
- ◆ Colour : light grey (RAL7035)
- ◆ Certified : IEC / EN 60601-1, IEC / EN 60601-1-2



Ordering Key

