

Datasheet

ENGLISH

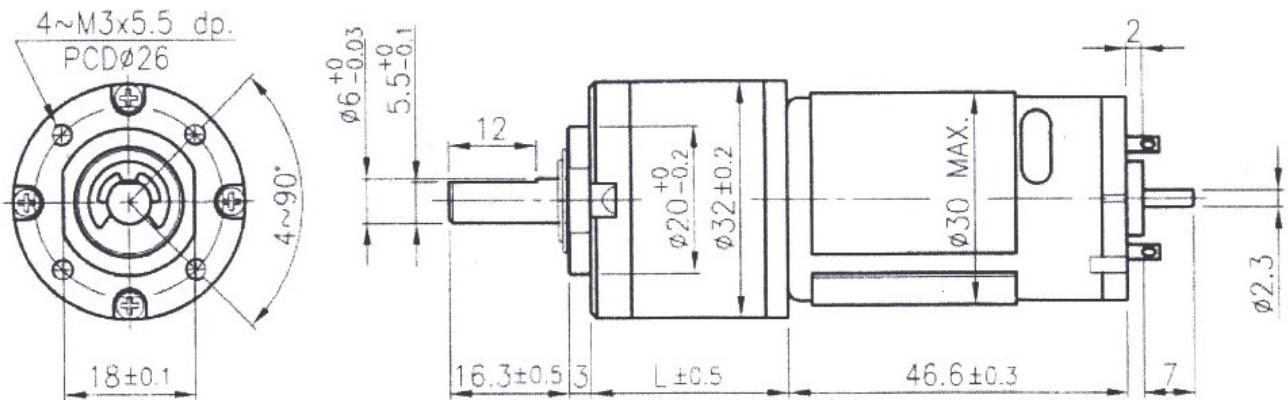
RS PRO, 12 V dc, 3488 gcm, Brushed DC Geared Motor, Output Speed 1460 rpm

Stock No: 834-7603



Specifications:

Output Speed	1460 rpm
Supply Voltage	12 V dc
Maximum Output Torque	3488 g.cm
DC Motor Type	Brushed
Shaft Diameter	6mm
Power Rating	12.8 W
Gearhead Type	Planetary
Length	37.2mm
Width	32mm
Current Rating	900 mA
Weight	211g



Ratio	L
5:1	20.6mm

Gearbox Housing material	Metal
Backlash at no-load	< 2.5°
Bearing at output	Sleeve bearings
Radial load (10mm from flange)	< 3 kgf
Shaft axial load	< 2.5 kgf
Shaft press fit force max	< 10 kgf
Radial play of shaft	< 0.08mm
Thrust play of shaft	< 0.3mm

Reduction Ratio	Rated tolerance Torque	Max momentary Tolerance Torque	Efficiency
1/5	2.0 kgf-cm Max.	6.0 kgf-cm	80%

Reduction Table RPM SUPPLY VOLTAGE	4.5v	6v	9v	12v	15v
834-7603	548	876	1095	1460	1825

Note: Motor speeds may vary by (+) or (-) 12.5%