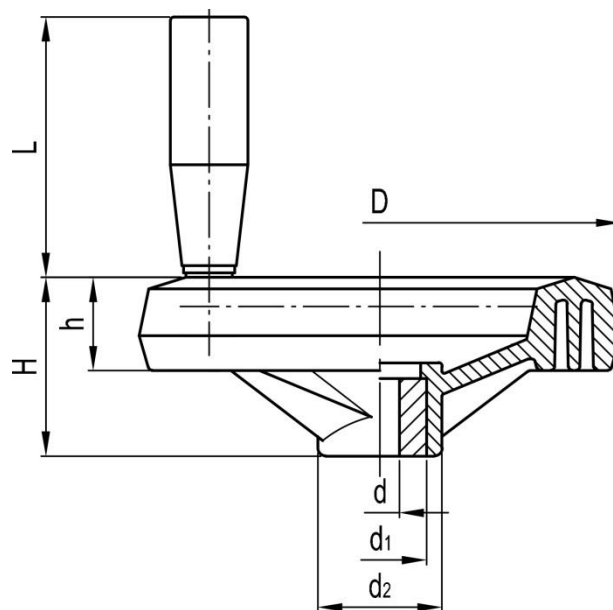


Datasheet

Two spoke handwheel with revolving handle

RS Stock No: 1611990



Specification

Handwheel material: Glass-fibre reinforced technopolymer

Revolving handle material: Glass-fibre reinforced technopolymer

Zinc-plated steel hub, standard holes



ENGLISH

| Stock no | D | d | H | h | d1 | d2 | L |
|----------|-----|----|----|------|----|----|----|
| 1611986 | 80 | 8 | 35 | 18 | 18 | 24 | 50 |
| 1611987 | 80 | 10 | 35 | 18 | 18 | 24 | 50 |
| 1611988 | 100 | 10 | 37 | 20 | 18 | 24 | 50 |
| 1611989 | 100 | 12 | 37 | 20 | 18 | 24 | 50 |
| 1611990 | 126 | 10 | 46 | 24 | 24 | 32 | 70 |
| 1611991 | 126 | 12 | 46 | 24 | 24 | 32 | 70 |
| 1611992 | 126 | 14 | 46 | 24 | 24 | 32 | 70 |
| 1611993 | 126 | 15 | 46 | 24 | 24 | 32 | 70 |
| 1611994 | 160 | 10 | 52 | 26.5 | 26 | 40 | 85 |
| 1611995 | 160 | 12 | 52 | 26.5 | 26 | 40 | 85 |
| 1611996 | 160 | 14 | 52 | 26.5 | 26 | 40 | 85 |
| 1611997 | 160 | 16 | 52 | 26.5 | 26 | 40 | 85 |
| 1611998 | 200 | 10 | 62 | 28 | 30 | 50 | 85 |
| 1611999 | 200 | 16 | 62 | 28 | 30 | 50 | 85 |
| 1612000 | 200 | 20 | 62 | 28 | 30 | 50 | 85 |