

HIGH PERFORMANCE MODULAR LED FLOODLIGHT



LF90 - 2 SERIES



Key Features

- Available in 100-240VAC
- Triac Dimming Compatible
- Rapid heat-dissipating design to prolong lamp life and optimise lumen output
- Long service life of >50,000 hours L70 @ 50°C (Ta)
- Compact and lightweight design
- Safety, EMC and IEC compliance



Application

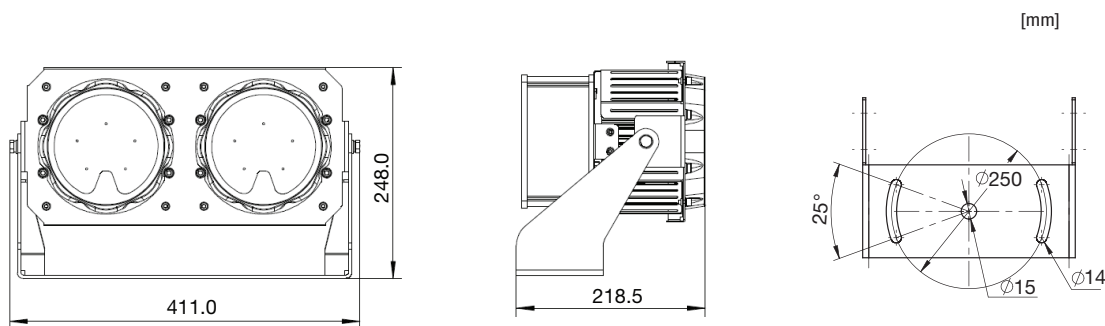
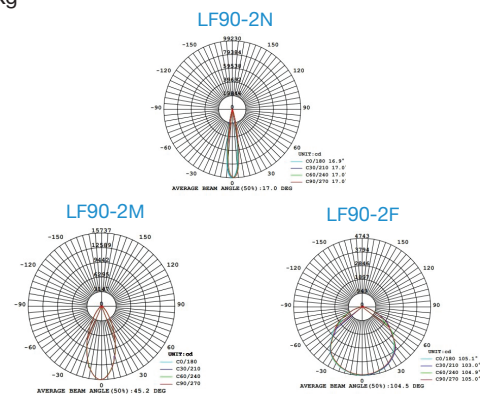
Decks, Marinas, Docks, Ports, Warehouses

Material

Marine grade aluminium alloy with powder coating, comes with 4mm tempered glass front cover

Weight

8.6Kg



TECHNICAL SPECIFICATIONS



Subject to Replacement based on Projection Distance:



Type	Modules	Beam Angle (50%)	Beam Angle (10%)	Power	CCT	Ambient Temp (Ta)	Lumen	CD	Projection Distance	Illum. Area (Diameter)
									@200 Lux	
LF90N02A34	2M-N	17°	32°	180W	5000K	-40°C ~ +50°C	22800lm	193600cd	31.1m	9.3m
LF90M02A34	2M-M	45°	87°	180W	5000K	-40°C ~ +50°C	21600lm	28000cd	11.8m	9.8m
LF90F02A34	2M-F	105°	148°	180W	5000K	-40°C ~ +50°C	23400lm	9000cd	6.7m	17.5m

Also available in other CCT and beam angle upon request.