



ENGLISH

Product Datasheet

## C Hook Wrench 51~120mm



### **Specifications:**

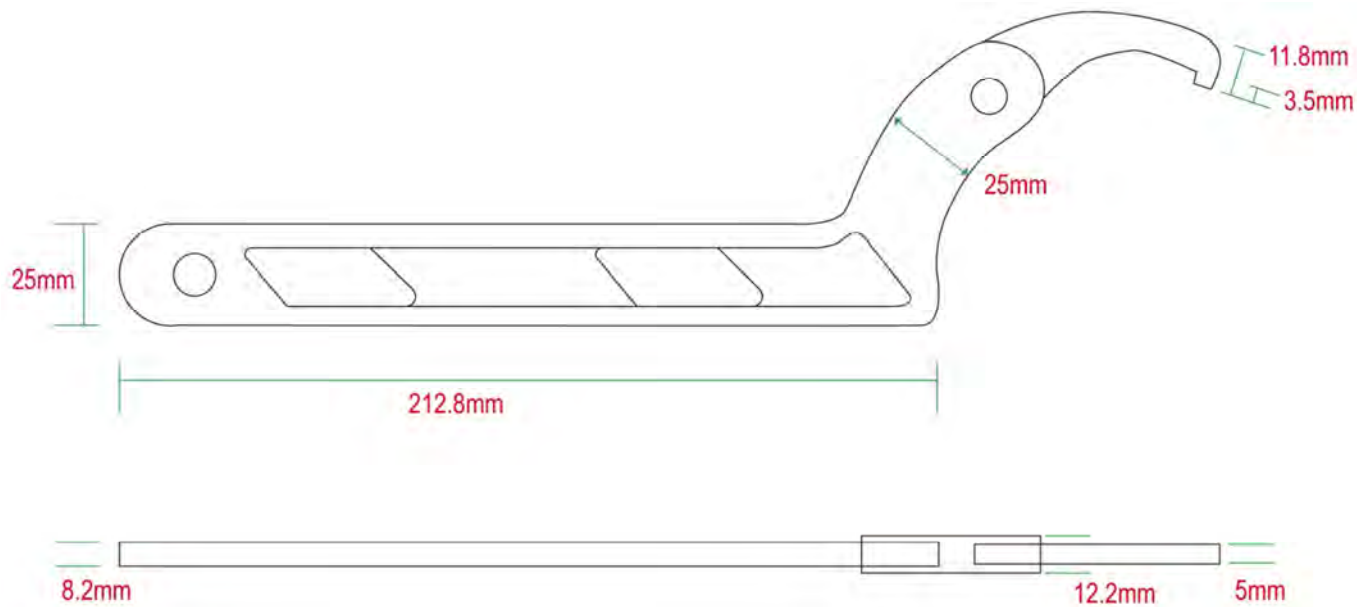
**Chrome vanadium hardened steel.**

**Tempered C-hook wrenches are specially designed for using with slotted retaining rings.**

**5mm thin hook allows to access confined areas in motorcycle steering and suspension.**

**Material: S45C**

**Dimensions:**



**Operating Instructions:**

