



Datasheet

RS PRO Grey PVC Open Slotted Trunking

Stock number: 301-2084 301-2090 301-2107 301-2113 301-2129 301-2135

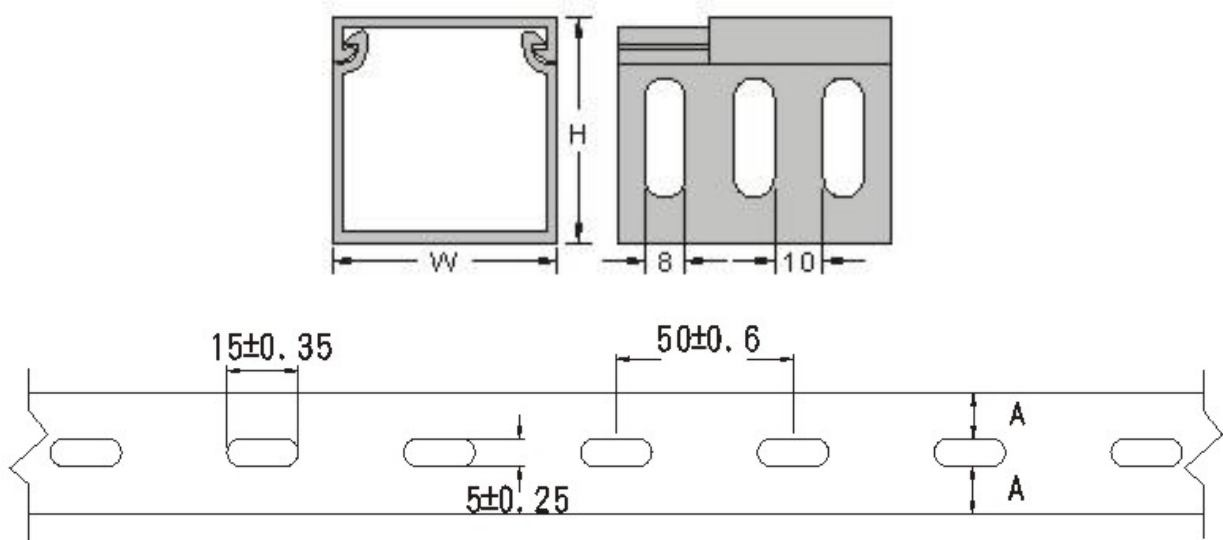
EN



SPECIFICATION

- Material: High impact, warp-proof PVC , self-extinguishing .
- UL approved 94V-0.
- Color: Black
- Maximum service temperature: 85°C
- Test to UL up to 50°C.
- Supplied complete with cover.

- These devices are for routing of wires within devices in factory installations.
- Features parallel holes on both sidewalls to facilitate cutting in wire application.
- Easy to insert, adding or removing wires - even with terminations attached.
- Save your total cost for during installation, wire tracing and circuit troubleshooting.



RS Article No	W(mm)	H(mm)	A	Slot	Length
301-2084	25	30	10	8MM	2M
301-2090	25	60	10		
301-2107	40	40	17.5		
301-2113	40	60	17.5		
301-2129	50	50	22.5		
301-2135	60	60	27.5		

