



ENGLISH

Datasheet

RS Article:1854671

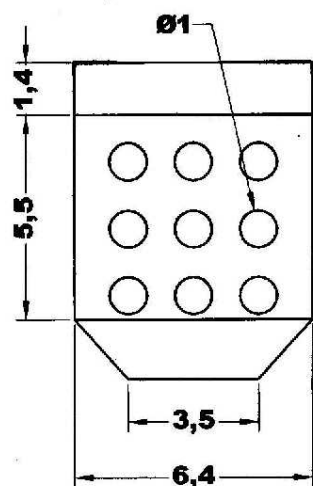
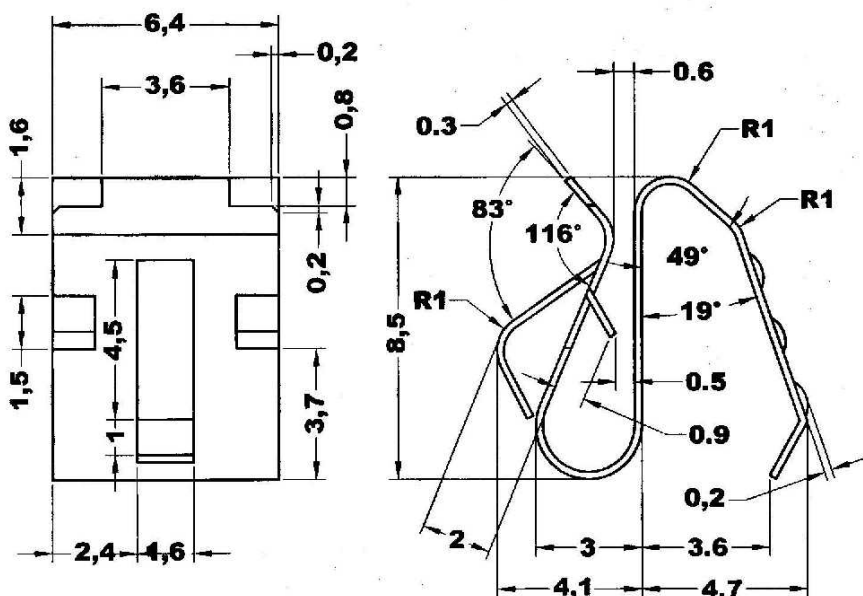
RS Pro Battery Contact



1. Preface:

The purpose of this product specification is to Dimension and drawing

Battery Contact for AAA



MATERIAL: SPRING STEEL

FINISH : NICKEL PLATE

Measure: mm