

## FEATURES

- Rated currents from 16A
- General purpose four-wire filtering
- Voltage rating 300 and 520VAC for world wide acceptance

## RS PRO Power Line Filters

RS Stock No.: 2378772, 2378773



RS Professionally Approved Products bring to you professional quality parts across all product categories. Our product range has been tested by engineers and provides a comparable quality to the leading brands without paying a premium price.

### Product Description

- Mainframe computer systems
- High power office equipment
- UPS/SMPS
- Automation equipment

### General Specifications

Protection against interference of voltage. *Used as a main input filter, YX92 filters can keep the system reliable by restrain the conducted interference. Customized products according to customer's requirements*

### Mechanical Specifications

size	150X105X60mm (L X W X H)
weight	2.12kgs

### Electrical Specifications

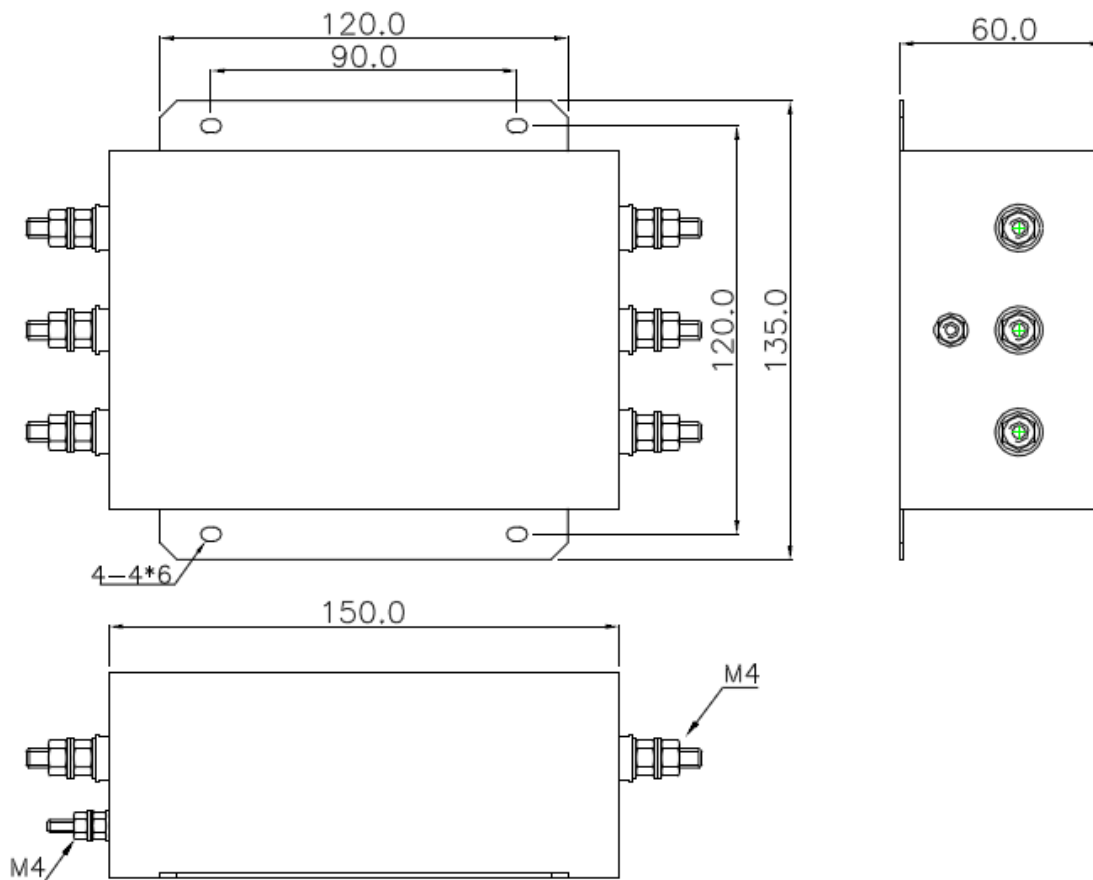
Rated Voltage Max.	300/520VAC,50/60Hz
Operating frequency	50/60Hz
Rated currents	16A@50°C
Hipot Rating	L-N: 1600VDC L/N-G: 4000VDC

### Protection Category

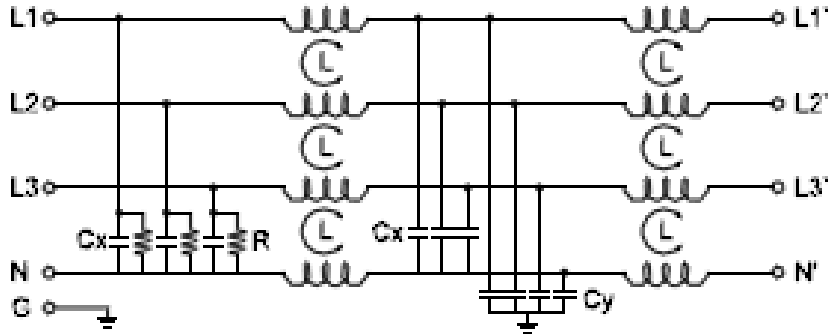
*according to IEC 60529 IP40*

**Approvals**

Declarations	CUL;TUV;CE
Standards Met	UL1283, CSA C22.2 No.8; IEC/EN 60939,;

**Physical Dimensions:**

**Electrical Schematic:**



**Insertion loss table(In 50ohm system according IEC/CISPR No.17)**

———— Common mode      - - - - - Differential mode

16A

