

# Multi Battery Indicator

## Multi-Color

multicomp **PRO**

RoHS  
Compliant



### 1. Display

- Battery power display way: 10XLED lights, 1Xyellow light, 2Xred lights and 7Xgreen lights.
- Battery power display mode: Regular display mode or SR mode: Single LED light illuminated, and Multiple LED lights illuminated.
- Regular display mode: When Pin C is disconnected from the positive pole, the working mode is "Single LED illuminated", a single LED light is lit to display the current bar.
- SR mode: When Pin C is connected to a positive pole, the working mode is "Multiple LED lights illuminated". Multiple LED lights are lit to display the current bar.

### 2. Battery testing function

- When it is a connected power source, it will automatically distinguish the current battery power left.
- The delay display function of battery power: The battery power is going down one LED bar by one LED bar when discharging. The delay time among each LED bar is 155 seconds. The battery power is going up one LED bar by one LED bar when charging. The delay time for each LED bar is 200 seconds. custom delay time available
- Custom voltage discharge curves available for battery indicator.

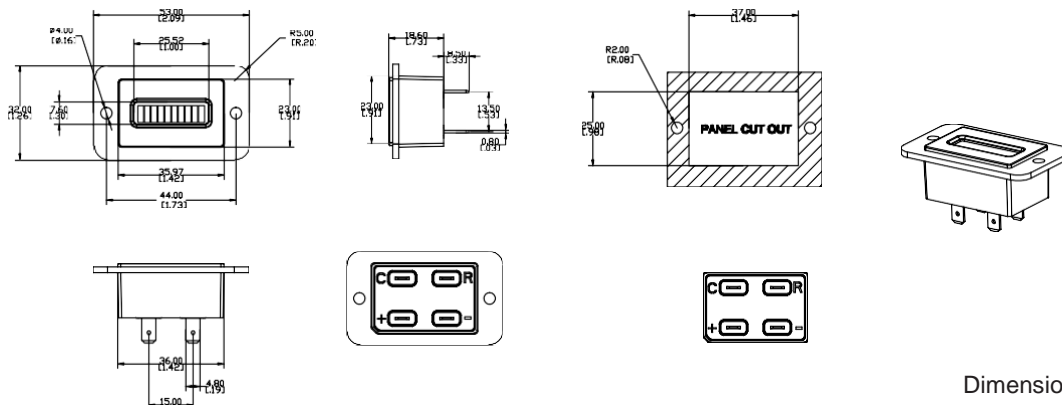
### 3. Output function

- When the battery power is >1st bar, it will output 5V signal.
- When the battery power is ≤ 1st bar, it will output 0V signal.

## Specification

Product Name	: Self-Powered Digital Tach / Maintenance / Hour Meter
Capacity	: 1Red 2 Yellow 7 Green color LED for indicator
Resolution	: A light bar indicates 10% battery capacity
Operating voltage	: 12/24V, 36V, 48V (Depending on model)
Operating current	: ≤100mA
Working voltage	: 10V DC to 60V DC
Operation temperature	: -15°C to 70°C
Error range	: ±0.5%
Product size	: 53mm × 32mm × 27.1mm
Applicable battery	: Lead-acid Battery (Depending on model)
Waterproof rate	: IP65.
Housing Material	: ABS
Product net weight	: 36g

## Diagram



Dimensions : Millimetres

Newark.com/multicomp-pro  
Farnell.com/multicomp-pro  
sg.element14.com/b/multicomp-pro

multicomp **PRO**

# Multi Battery Indicator

## Multi-Color



Battery type (can Customize)		Battery level									
		1	2	3	4	5	6	7	8	9	10
Lead-acid	12V	10.38	10.59	10.8	11.01	11.22	11.43	11.64	11.85	12.3	>12.3
	24V	20.76	21.18	21.6	22.02	22.44	22.86	23.28	23.7	24.6	>24.6
	36V	31.14	31.77	32.4	33.03	33.66	34.29	34.92	35.55	36.9	>36.9
	48V	41.52	42.36	43.2	44.04	44.88	45.72	46.56	47.4	49.2	>49.2

+	12-24V: Positive pole of input power source, connected to positive pole of power source range DC 10-28V.
	36V: Positive pole of input power source, connected to positive pole of power source range DC 30-45V.
	48V: Positive pole of input power source, connected to positive pole of power source range DC 40-60V.
-	Negative pole input power source, connected to negative pole of power source
C	Selection button on working mode
R	Output function: when the battery power is $\geq 10\%$ , it will output 5V signal; when the battery power is $< 10\%$ , it will output 0V signal. (Custom output function available)

### Part Number Table

Description	Part Number
Battery Indicator 12/24V, Lead-Acid	MP011724

**Important Notice :** This data sheet and its contents (the "Information") belong to the members of the AVNET group of companies (the "Group") or are licensed to it. No licence is granted for the use of it other than for information purposes in connection with the products to which it relates. No licence of any intellectual property rights is granted. The Information is subject to change without notice and replaces all data sheets previously supplied. The Information supplied is believed to be accurate but the Group assumes no responsibility for its accuracy or completeness, any error in or omission from it or for any use made of it. Users of this data sheet should check for themselves the Information and the suitability of the products for their purpose and not make any assumptions based on information included or omitted. Liability for loss or damage resulting from any reliance on the Information or use of it (including liability resulting from negligence or where the Group was aware of the possibility of such loss or damage arising) is excluded. This will not operate to limit or restrict the Group's liability for death or personal injury resulting from its negligence. Multicomp Pro is the registered trademark of Premier Farnell Limited 2019.

