

## Datasheet

# Insulated Crimp Spade Connector, 12 → 10 AWG, M6, Yellow Vinyl

RS Stock number [534-474](#)



## Specifications:

1. Maximum Electric Rating: 75°C 600V

最高溫度: 75°C 耐壓 600V

2. Maximum Electric Current: (最大電流)

22-16AWG / 0.5-1.5mm<sup>2</sup>: 19A

16-14AWG / 1.5-2.5mm<sup>2</sup>: 27A

12-10AWG / 4-6mm<sup>2</sup>: 48A

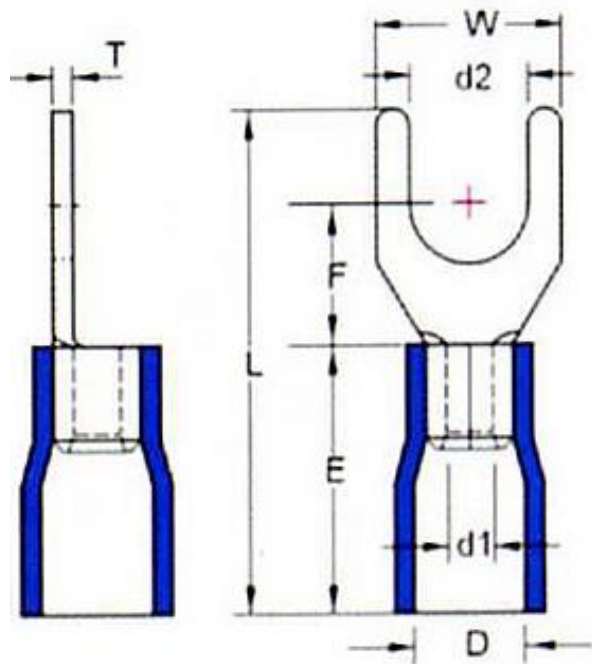
3. Terminal Body: Copper (端子材質: 紅銅)

4. Insulation: Vinyl (護套材質: PVC)

5. Plating: Tin (表面處理: 鍍錫)

VM--Flared Vinyl without copper sleeve

PIPG--Pre-insulated funnel Vinyl insulator with easy entry copper sleeve



Insulation Colour	Wire Range Mm <sup>2</sup> /Awg	Stud Size	Dimension (mm)
Yellow	4-6mm <sup>2</sup> /12-10AWG	#1/4/6.4	12.0/12.0/31.5/13.5/6.5/3.5/1.0