

RF Coaxial Cable Assembly - 100mm
Rear Lock, SMA RP Bulkhead Jack to MCX Straight Plug



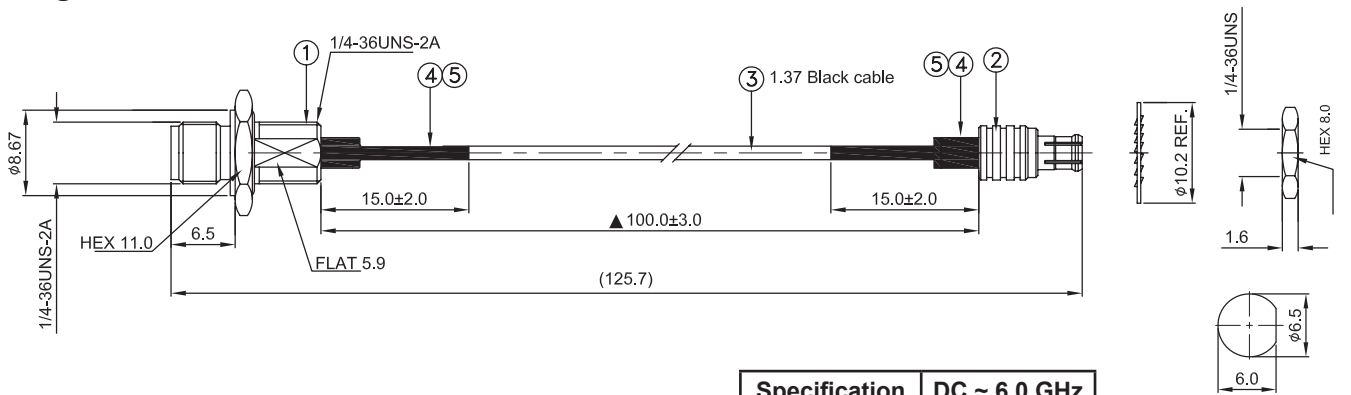
**RoHS
Compliant**



Electrical Performance:

Impedance	: 50Ω
Frequency Range	: DC ~ 6.0 GHz
Working Voltage	: 335Vrms Max.
Dielectric Withstanding Voltage	: 750Vrms Max.
Insulator Resistance	: 5000MΩ Min.

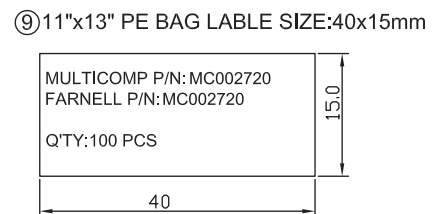
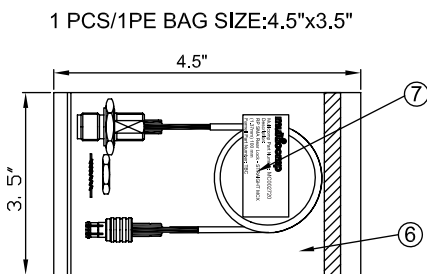
Diagram



Specification	DC ~ 6.0 GHz
VSWR	1.65 : 1 Max.
Insertion Loss	-1.1 dB Max.

RECOMMENDED MOUNTING HOLE

Sl.	Description	Qty
1	RP-SMA Rear Lock B/H Jack Crimp for OD 1.37 Cable conn.	1
2	MCX, Straight, Plug, -, for 1.37	
3	1.37 Black Cable	2
4	Heat Shrink Tube F32 2mm L=10mm, Colour: Black	
5	Heat Shrink Tube F32 3mm L=15mm, Colour: Black	



Newark.com/multicomp-pro
 Farnell.com/multicomp-pro
 Element14.com/multicomp-pro

