

Datasheet

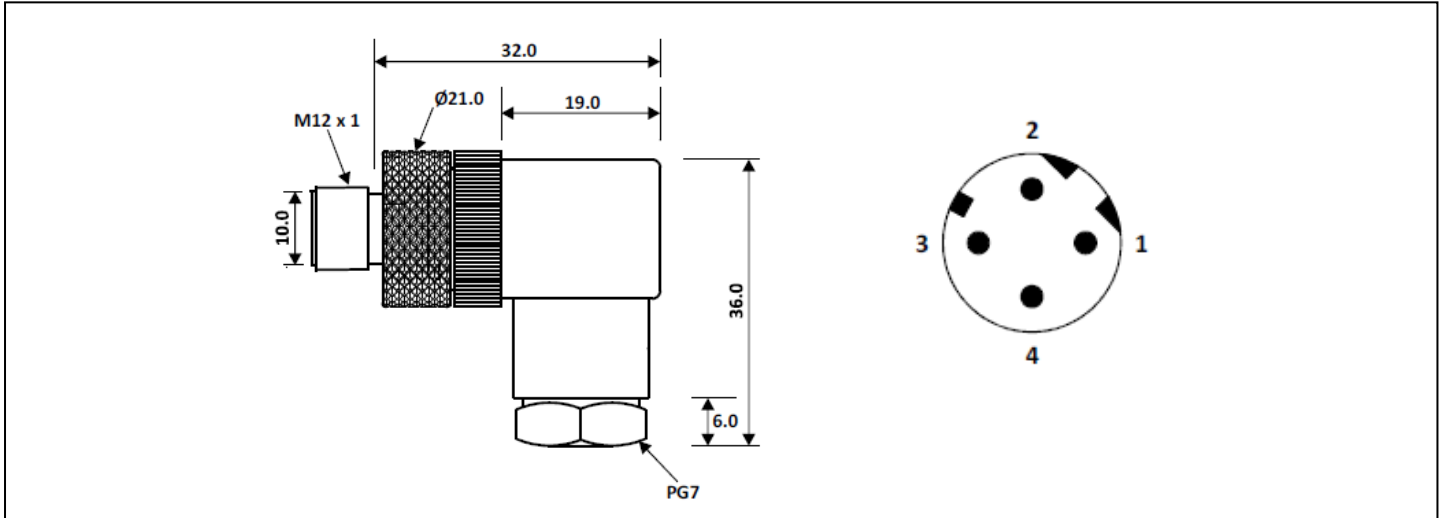
RS PRO M12 Male RA 4 Pin D-Coded Screw Type Connector

Part No: 2017152


Technical Specifications:

Rated Operational Voltage	250 V
Current Rating	4 A
Insulation Resistance	≥100 MΩ
Temperature Range	-25° ... +75°C
Coding	D-Coded
Degree of Protection	IP67
Grip Material	Nylon 66
Contact	Cu-Zn
Contact Plating	Nickel-plated
Contact Carrier	Nylon 66
O-ring	Neoprene
Coupling Nut	Brass Nickel-Plated
Grip Colour	Black

Termination	Screw Type
Pole	4
Cable Gland	PG7



Quality Standard: IEC 61076-2-101

