

## FEATURES

- Single handed operation
- Light and compact
- Safety version
- Silicon free

# RS PRO Male Socket ISO 6150 A6

RS Stock No.: 2312493



RS PROfessionally Approved Products bring to you professional quality parts across all product categories. Our product range has been tested by engineers and provides a comparable quality to the leading brands without paying a premium price.

## Product Description

The RS PRO male socket works in 0 to 10 bar pressure range. It mainly used in compressed air & tools, pneumatic & fluid technology, food & beverages.  
Operating temperature range is from - 20 °C + 80 °C. RoHS and REACH compliant.

## General Specifications

<b>Pneumatic Fitting Type</b>	Straight Threaded Adaptor
<b>Angle</b>	Straight
<b>Shape Type</b>	Straight
<b>Maximum Operating Pressure</b>	10bar
<b>Applications</b>	Air & Tools, Pneumatic & Fluid Technology, Food & Beverages.

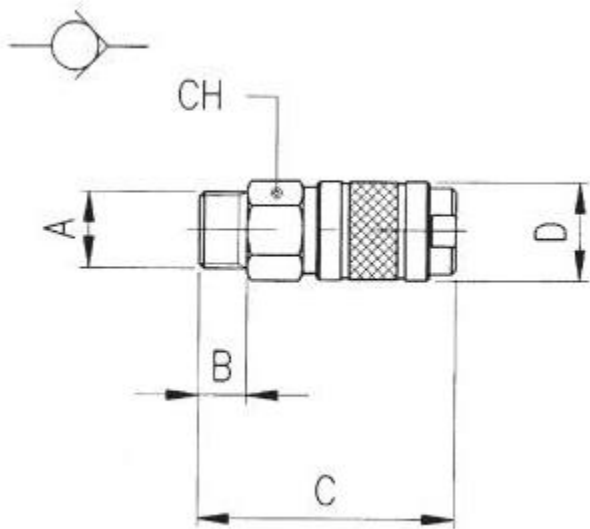
## Mechanical Specifications

<b>Connection Style</b>	Threaded-to-Tube
<b>Number of Inlet Ports</b>	1
<b>Number of Outlet Ports</b>	1
<b>Tube Connection A</b>	BSP 1/8 Male
<b>Tube Connection A - Tube Size</b>	1/8in
<b>Threaded Connection</b>	1/8 in Male

Connectors	
Connector A	BSP 1/8 Male
Threaded Connection A	BSP 1/8 Male
Threaded Connection A – Gender	Male

## Similar Products

Parameters	2312668	2312669
Brand	<b>RS PRO</b>	<b>RS PRO</b>
Pneumatic Fitting Type	Bulkhead Threaded-to-Tube Adaptor	Bulkhead Threaded-to-Tube Adaptor
Angle	Straight	Straight
Shape Type	Straight	Straight
Maximum Operating Pressure	20bar	20bar
Connection Style	Threaded-to-Tube	Threaded-to-Tube
Number of Inlet Ports	1	1
Inlet Port	Push In 4mm	Push In 6mm
Tube Connection A	Push In 4mm	Push In 6mm
Tube Connection A - Tube Size	4mm	6mm
Tube Connection B	1/8 in Female	1/4 in Female
Tube Connection B - Tube Size	1/8 in	1/4 in
Threaded Connection	1/8 in Female	1/4 in Female
Length	29mm	33mm
Wrench Size 1	15mm	16mm
Wrench Size 2	17mm	17mm
Connector A	Push In 4mm	Push In 6mm
Threaded Connection A	4mm	6mm
Connector B	1/8 in Female	1/4 in Female
Threaded Connection B	1/8in	1/4in
Threaded Connection B – Gender	Female	Female



A	B	C	D	CH	Pack.
01/08	6	32	13	11	10