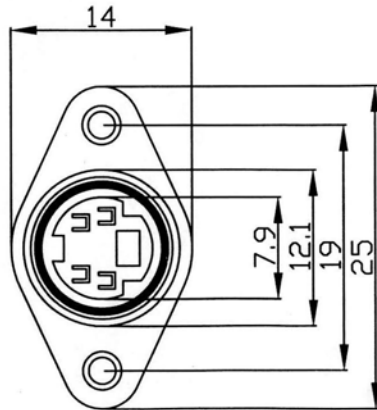
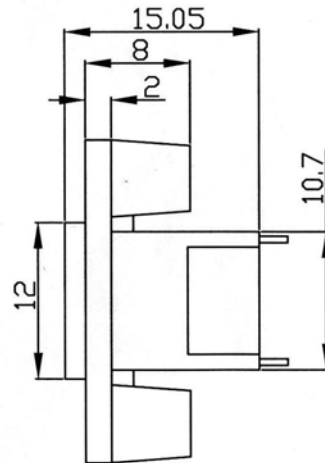
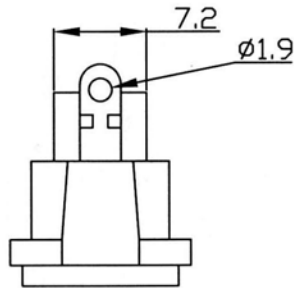


GTT P/N	MDR603	MDR604	MDR605	MDR606	MDR607	MDR608
RS P/N	183-1760	183-1782		183-1798		183-1805
No of pins	3	4	5	6	7	8



Rating: 100V AC 1A

Contact Resistance: 30m ohm Max

INSULATOR: PBT UL94V-0

Insertion Force: 4.5kg Max

Withdrawal Force: 0.9kg-3kg



UNLESS OTHERWISE SPECIFIED
 TOLERANCE :
 X. ±0.2 ANGLES : ±2°
 X.X ±0.1
 X.XX ±0.05 DO NOT SCALE DRAWING

榮昌科技股份有限公司
 GRAND-TEK TECHNOLOGY CO., LTD.

DRAWN BY ANDY		TITLE Panel Mount Mini Dins Crimp Version	
CHECKED BY <i>[Signature]</i>	SIZE A	UNIT MM	PART NO. 183-1XXX
APPROVED BY <i>[Signature]</i>	SCALE 1 : 1	THIRD ANGLE PROJECTION 	PAGE 1 OF 1
DWG NO.	ITEM NO. MDR-60X		DATE 08/15/2001