

FEATURES

- A manual depaneling tool designed to separate PCBs in a quick, economic and safe way, obtaining well-finished cut surfaces; the maximum length of the isthmus (tab) should not exceed 3mm.
- Blade thickness 1.0mm (0.039")
- Maximum PCB thickness 1.6mm
- Minimum isthmus distance 11mm
- maximum cutting force 1 kg
- Ergonomic anti-slip bi-component handle for a safe, light and comfortable grip
- Anti-reflection phosphating surface treatment
- Laser marking
- Made in Italy

RS PRO PCB separator pliers (blade thickness 1.0mm-0.039")

RSPRO Stock No.: 238-0729



RS Professionally Approved Products bring to you professional quality parts across all product categories. Our product range has been tested by engineers and provides a comparable quality to the leading brands without paying a premium price.

Product Description

- *Made in Italy with special carbon steel and undergo a controlled atmosphere heat treatment.*
- *The anti-reflection phosphating surface treatment ensures an accurate view of the work being carried out.*
- *The tools are joined with grounded holes and surfaces, thereby allowing precise movements.*
- *The anti-slip bi-material dolphin handle is created following ergonomic principles, thus guaranteeing a safe, light and comfortable grip for the operator even when used constantly for many hours.*
- *A manual depaneling tool designed to separate PCBs in a quick, economic and safe way, obtaining well-finished cut surfaces; the maximum length of the isthmus (tab) should not exceed 3mm.*
- *Blade thickness 1.0mm (0.039")*
- *Maximum PCB thickness 1.6mm*
- *Minimum isthmus distance 11mm*
- *Maximum cutting force 1 kg*

General Specifications

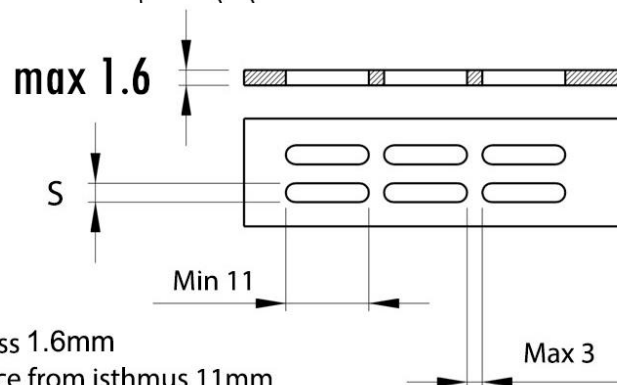
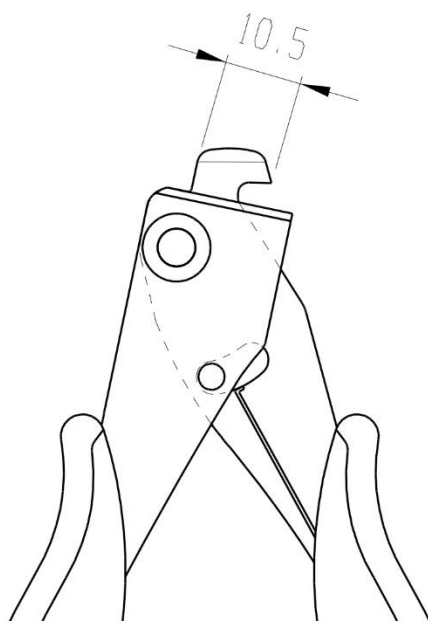
Blade Thickness	1.0mm – 0.039"
Non-Sparking	Yes
Material	Carbon Steel
Number Of Pieces	1
Finish	Anti-reflection phosphating surface treatment, red grip

Electrical Specifications

ESD Safe	no
-----------------	----

Mechanical Specifications

Overall Length	147mm
Weight	100g
Steel Thickness	3mm



Max PCB thickness 1.6mm
Minimum distance from isthmus 11mm
Max length isthmus 3mm