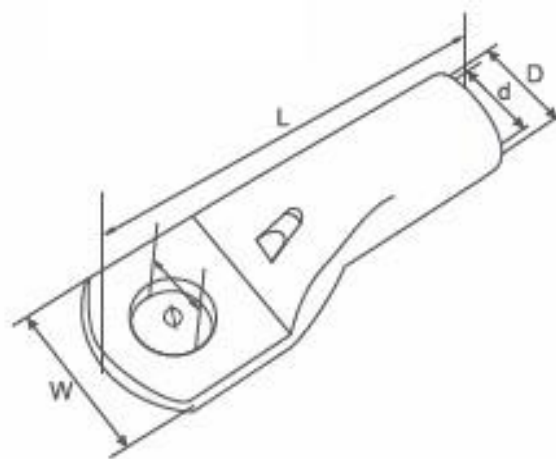




Product Datasheet

ENGLISH

# CHAMFERED ENTRY COPPER TUBE TERMINALS



## Specification

**MATERIAL:** HIGH CONDUCTIVITY COPPER TO BS2871

**PURITY:** >99.9%

**COATING:** TIN

**Features:** CHAMFERED ENTRY

## Dimensions

RS CODE	SIZE	STUD	$\Phi$	D	d	W	L
	(mm) <sup>2</sup>						
8417598	6	6	6.5	5.9	4	11	24.6
8417608		8	8.3	5.9	4	12.5	27.3