

Datasheet

## RS Pro Indicator Panel Mount, 20.6mm Mounting Hole Size, Red, Lead Pins Termination, 23 mm Lamp Size, 12 V dc

RS Stock No: **793-2553**



### Product Details

RS Pro panel mount indicator with 20.6 mm mounting hole, features a red indicator light for panel mount applications. This indicator accommodates a lamp size of 23 mm and offers lead pins termination. It has a voltage rating of 12 V dc. The indicator has a wide operating temperature range of between -25 to +125°C.

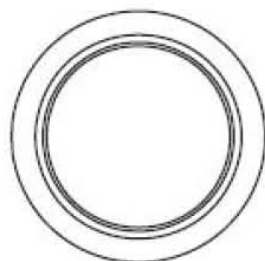
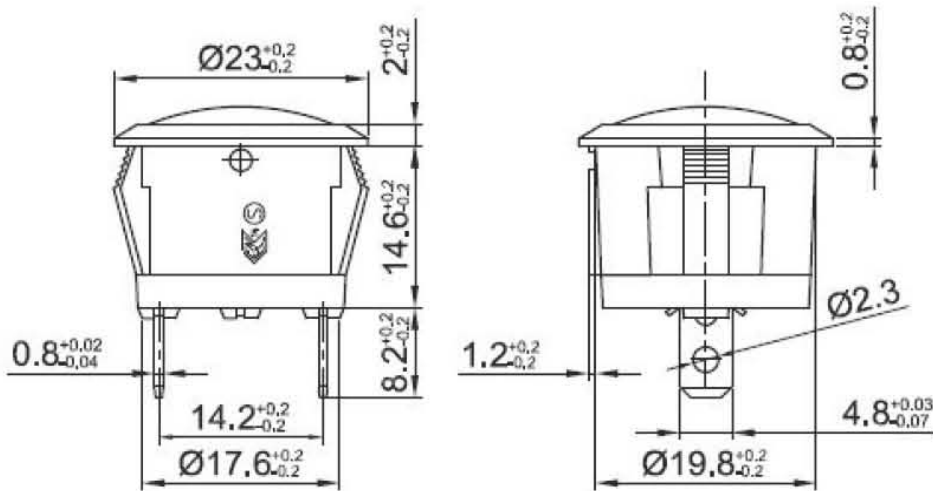
### Features and Benefits

- Black nylon body with safety of flammability rating UL 94V-2
- Contact resistance: 30 mΩ maximum
- Red indicator light for panel mount applications

**Specifications:**

Bezel Colour	Black
Lamp Size	23 mm
Lamp Type	Incandescent
Length	14.6 mm
Light Output Colour	Red
Mounting Hole Size	20.8 mm
Termination Type	Lead Pins
Type	Panel Mount
Voltage Rating	12 V dc
Temperature Rating	-25 to +125°C

**Dimension:**



PANEL HOLE SIZE

Panel thickness	X
0.75-1.25	20.2
1.25-2.0	20.4
2.0-3.0	20.6

