



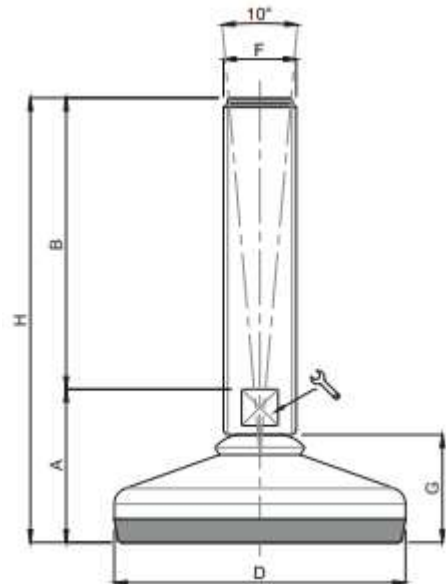
ENGLISH

RS PRO Stainless Steel Height Adjustable Mounts

The RS Pro Height Adjustable mounts are used for levelling and support in many applications including lathes, milling machines, machining centers and conveyor systems.

These mounts are specifically often used in food, packaging, beverage and pharmaceutical industries.

The base rubber is made of oil resistant NBR to an FDA approved standard, with 304 Stainless Steel.



Article Number	A (mm)	B (mm)	D (mm)	F	G (mm)	H (mm)	Static Load (kg)	Metal Type	Articulation (Degrees)
2245806	44	150	100	M24	28	194	1500	Stainless Steel 304	10
2245807	44	200	100	M24	28	244	1500	Stainless Steel 304	10
2245808	44	250	100	M24	28	294	1500	Stainless Steel 304	10
2245812	26	75	40	M10	15	101	300	Stainless Steel 304	10
2245813	26	50	40	M8	15	76	300	Stainless Steel 304	10
2245814	26	75	40	M8	15	101	300	Stainless Steel 304	10
2245816	32	150	50	M16	19	182	400	Stainless Steel 304	10
2245819	32	125	60	M12	22	157	700	Stainless Steel 304	10
2245821	32	75	60	M12	22	107	700	Stainless Steel 304	10

Article Number	A (mm)	B (mm)	D (mm)	F	G (mm)	H (mm)	Static Load (kg)	Metal Type	Articulation (Degrees)
2245822	35	125	60	M16	22	160	700	Stainless Steel 304	10
2245824	35	150	60	M16	22	185	700	Stainless Steel 304	10
2245825	35	75	60	M16	22	110	700	Stainless Steel 304	10
2245826	38	200	80	M16	25	238	1000	Stainless Steel 304	10
2245827	38	125	80	M20	25	163	1000	Stainless Steel 304	10
2245828	38	150	80	M20	25	188	1000	Stainless Steel 304	10
2245829	38	200	80	M20	25	238	1000	Stainless Steel 304	10