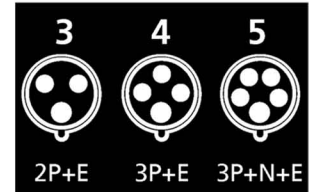


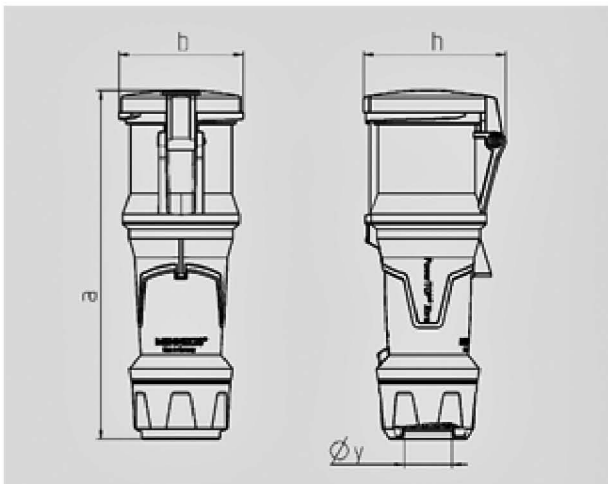
Connector PowerTOP® Xtra - Part no. 14112



- screw terminals
- with rubberised grip area
- frame terminals
- with SoftCONTACT
- with highly heat resistant contact carrier
- cable gland and sealing
- strain relief and protection against kinking
- enclosure with thread lock
- two safety slides
- products with pilot contact: part no. + index P



Protection type	IP 44
Ampere	63A
Poles	5p
Voltage	400V
Hertz	50-60Hz
Earth position	6h
Contact	highly heat resistant contact carrier
Connection technology	Screw terminals, SoftCONTACT



Drawing	Amp.	63		
		3	4	5
3 MB 69	Poles			
Dim. in mm	a	268	268	268
	b	95	95	95
	h	109	109	109
	y	36	36	36
Terminal for cond. cross		6	6	6
section (mm ²) min.-max.		-16	-16	-16

