



Datasheet

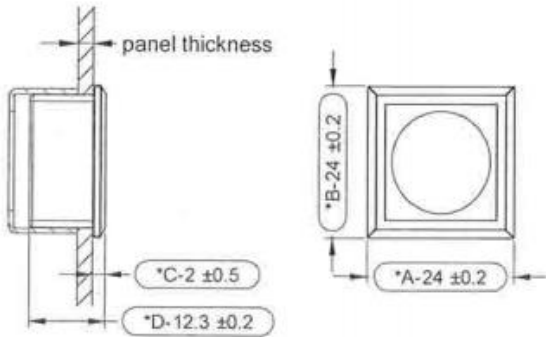
ENGLISH

Modular Switch Bezel For Use With ADA16 Series

RS Stock number 745-2552



Dimensions: (mm)



Specification

Size: 16mm bezel
Shape : Flush Mounted
Colour: Black / Silver
Material : Aluminium

Hole Dia

