

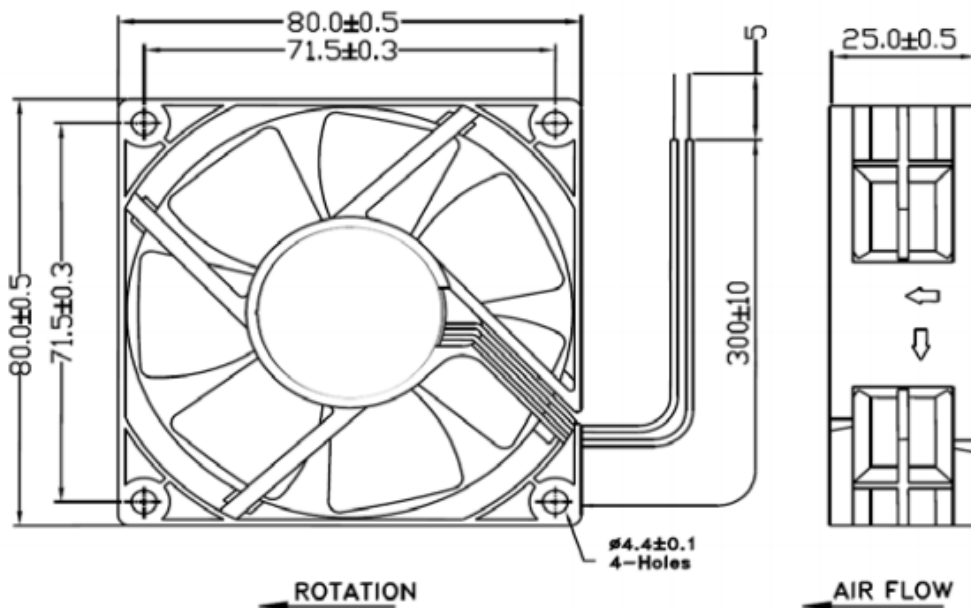
Datasheet

DC Axial Fan, 80.5 x 80.5 x 32mm, 85m³/h, 3.84W, 12 V dc (OD8032 Series)

RS Stock 619-7150



Dimensions: (mm)





Specifications

- Impeller & Frame: PBT , UL94V-0 Thermoplastic

Available Options

- Tachometer
- Locked Rotor Alarm
- PWM Input
- Thermal Speed Control
- Constant Speed

- MOTOR: Brushless DC, polarity protected, locked rotor protected (current limited), auto restart
- INSULATION RESISTANCE Min. 10M ohms at 500VDCLIFE EXPECTANCY (L10) :Ball Bearing 60,000 Hours
- Operating Temperature -10C ~ +70C
- Safety Approvals: UL/CUL, TUV, CE

RS Part No.	Speed	Airflow	Noise	Volts	Voltage	Current	Connection Type
6197150	3300	50	41	12	8~17	0.32	Wire
6197166	3300	50	41	24	12~30	0.15	Wire