

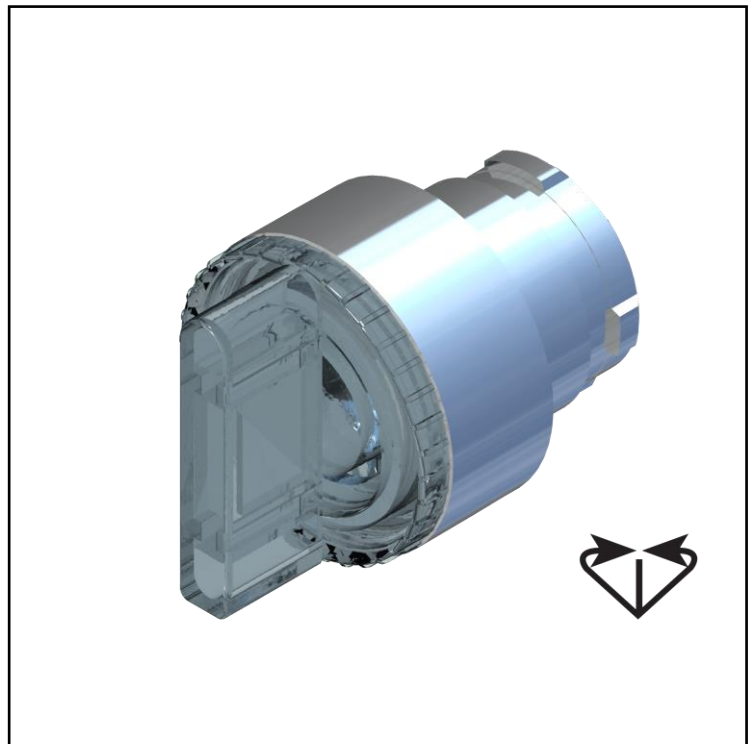
## FEATURES

- Front panel mount
- Colour short lever
- Chrome plated outer
- Illuminated
- Switch position: 3
- Switch Actuation: Spring Return from Left and Right
- Outer diameter: 30 mm
- IP65 rating

## RS PRO Selector Switch

Heads – Spring Return from Left and Right, Illuminated

RS Stock No.: 2383917



RS Professionally Approved Products bring to you professional quality parts across all product categories. Our product range has been tested by engineers and provides a comparable quality to the leading brands without paying a premium price.

## Family Name

### Product Description

*From the trusted brand RS PRO, a range of high-quality selector switch heads designed to be used in conjunction with a compatible contact block and support base. These selector switch heads have a chrome-plated body, illuminated short levers in various colours, and are available with 2 or 3 switch position options. During application, they are front panel mounted via a 22 mm cut-out and should be connected to a support base secured with screws. Once fully operational the selector switch heads open and close contacts, turn right, left, and centre with a positive feel without rotation of the operators.*

### General Specifications

Casing Material	Chrome-plated Zamak
Operator	Illuminated selector switches 2383917 - 3 positions, return from left and right
Color	Illuminated transparent
Outer diameter	30

### Mechanical Specifications

Operating Temperatures [°C]	-25 / +70
Stock Temperatures [°C]	-40 / +80
Mechanical durability (Millions of operations)	0.3
B10d (million of operations)	0.6
Max. switching frequency [Cicli/h]	3600

### Electrical Specifications

--	--

### Protection Category

IP Degree of Protection	65
-------------------------	----

### Additional Information

## Family Name

<b>EAN</b>	8000126233360
<b>Custom Tariff Number</b>	85371098

### Classification

<b>eCI@ss</b> (Version)	
<b>UNSPSC</b> (Version)	

### Approvals

<b>Declarations</b>	CE – UKCA
<b>Standards Met</b>	EN 60947-5-1 and UL 508

### Similar Products

Stock No.	Brand	Product Name	Attribute 1	Attribute 2	Attribute 3
XXX-XXXX	RS PRO				
XXX-XXXX	RS PRO				

Connection Diagrams / Assembly Diagrams / Illustrations / Accessories