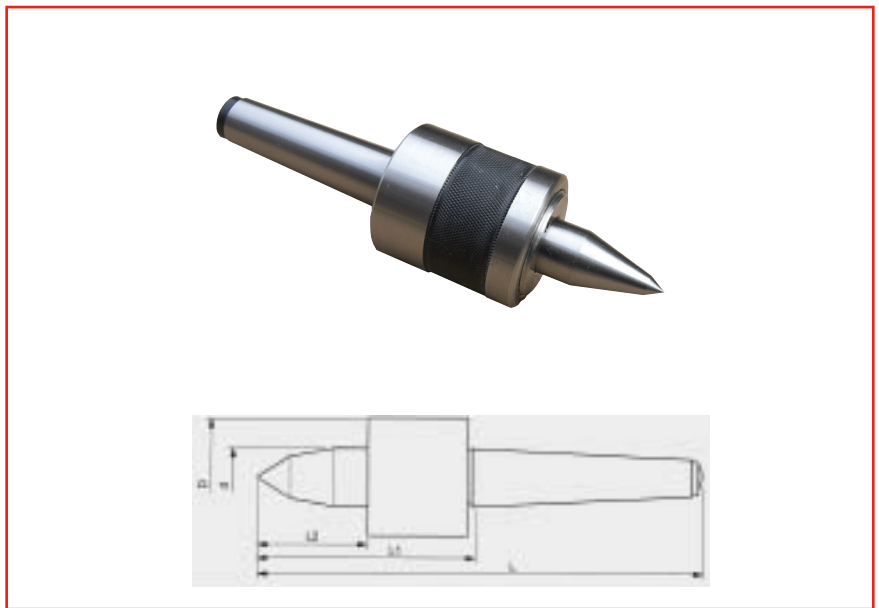


Datasheet

RS Pro Extended Revolving Centre

RS Stock No: 463-7274



Specifications:

Manufactured from high quality tool steel
 Hardened and tempered
 Precision ground externally
 60° Point
 Fully sealed bearings
 Maximum run-out 0.008mm

Order Code	MT No.	d	D	L	L1	L2	Max Weigh Load	Speed Max
463-7274	MT 3	24.6	58	174	89	42	400kg	4000

Order Code	Manufacturers Code	Description
463-7274	RCE-03	Extended Revolving Centre